

Low Voltage

EasyPact MVS

LV power circuit breakers and switch-disconnectors
800 to 4000A

Catalogue
2018





Exceptional
reliability, flexibility
and convenience

+



Quality and safety
you can trust

=

**Performance
without compromise**

Outstanding value for an
optimized feature set



Buildings



Industry



Panelbuilders

EasyPact MVS range

The easy choice for reliable performance



- > Performance without compromise
- > Assured quality and safety you can trust
- > Deliver exceptional reliability and flexibility in its class
- > Outstanding value for an optimized feature set
- > Precision engineered to meet your needs
- > Unbeatable value throughout its lifecycle
- > Simple to choose and easy to install

Choose the leader



- > 800 to 4000A ratings
- > Breaking capacity: 50 & 65kA
- > Suitable for 690V applications
- > Complete selectivity with $I_{cs}=I_{cu}=I_{cw}$ (1 s)
- > Intelligent ET range of trip system with display
- > Fully protected neutral on 4 pole breakers
- > Common accessories for complete range
- > Conforms to IEC 60947- 2 & 3



EasyPact MVS Benefits for every customer

EasyPact MVS08 to MVS40

★ Panel builders/ contractors

- > Single frame size from 800 to 4000A with identical door cut-outs
- > Suitable for copper & Aluminium termination with a single pole pitch of 115 mm
- > Terminal orientation can be converted from horizontal to vertical and vice-versa at workshop
- > Direct mounting Door frames (escutcheon) without drilling any holes
- > Front fitted accessories like under-volt release, shunt release & closing coil for complete range
- > Conversion of manual operated breaker in to electrical operated, with single bolt fixing

EasyPact MVS with single frame size, common accessories helps to increase the shop floor efficiency, enabling faster delivery of switch boards.

★ End Users

- > Moulded case design ensures high endurance without maintenance
- > Intelligent ET range of trip system with thermal memory and display for measurements.
- > Overload run alarm & individual LED indications enable fault identification
- > $I_{cu}=I_{cs}=I_{cw}(1\text{sec})=50\text{kA} \& 65\text{kA}$ ensures complete selectivity
- > Inbuilt safety shutter & interlocks
- > Designed to provide utmost user safety during installation, during use, and while under maintenance.
- > All 4 pole breakers are with fully rated neutral and protected with adjustable settings at OFF – 50%-100%

EasyPact MVS answers even to the most stringent application with most reliable distribution systems assuring continuity of service

★ Designers

- > Conforms to IEC60947-2 for breakers & IEC60947-3 for disconnectors
- > Designed and manufactured using advanced manufacturing methods to match your quality expectations and the needs of each project.
- > Continuous rated coils helps in simple interlocking schemes
- > Extensive choice of software tools & documentation to reduce design time.
- > EasyPact MVS respects the environment throughout their life cycle

EasyPact MVS is designed to meet the needs of your customers with flexibility to achieve system efficiency during the design phase



The Key values

90%
of applications are covered



The performance you need

EasyPact MVS provides the ideal level of capability for your installation from 800 to 4000 A.

Reduce stock by up to
30%



At a cost-effective investment

Pay for what you need: Get outstanding durability with the features you need, with the benefit of easy to order and stock.

100%
Commitment to quality



With the quality you demand

Designed and manufactured by Schneider Electric using advanced manufacturing methods and premium materials.

Gain peace of
mind and
optimised cost
for every
installation



> Over 75% of Schneider Electric
manufactured products awarded
Green Premium eco-mark

Green Premium, stamping the most eco-friendly products of the industry



Green Premium is the only label allowing you to develop effectively an environmental policy and to promote it, while preserving your business efficiency.

It guarantees compliance with the most up-to-date environmental regulations, but it is more than this.

With Green Premium eco-mark, Schneider Electric helps you:

- Calculate the carbon footprint of the solutions you offer
- Ensure full regulation compliance about substances and chemical components
- Deliver all appropriate information to certify eco-design of your solutions
- Easily manage products end of life, while ensuring optimized recycling.

With Green Premium, Schneider Electric commits to be transparent disclosing extensive and reliable information on environmental impacts of its products:

RoHS

Schneider Electric applies RoHS requirements to all its products and worldwide, even for the numerous ones which are not in the scope of the regulation. Compliance certificates are available for all products involved.

REACH

Schneider Electric applies REACH regulation worldwide, and releases all information about presence of Substances of Very High-Concern (SVHC) in its products.

PEP: Product Environmental Profile

For all its products, Schneider Electric publishes the most complete set of environmental data, including carbon footprint and energy consumption for each of the life cycle phases, in compliance with ISO 14025 PEPecopassport program.

EoLI: End of Life Instructions

Available at a click, these documents provide:

- Recyclability rates of the products
- Information to mitigate personnel hazards during dismantling and before recycling operations
- Parts identification either for re-use, or for selective treatment to mitigate environmental hazards, or incompatibility with usual recycling process.



Discover what we
mean by green ...
and

CHECK a PRODUCT!

Functions and characteristics	A-1
----------------------------------	-----

Installation recommendations	B-1
---------------------------------	-----

Dimensions and connection	C-1
------------------------------	-----

Electrical diagrams	D-1
---------------------	-----

Additional characteristics	E-1
-------------------------------	-----

Catalogue numbers and order form	F-1
-------------------------------------	-----

Functions and characteristics



General overview	A-2
Detailed contents	A-2
Circuit breakers and switch-disconnectors	A-4
MVS08 to MVS40	A-4
Identifying ET range of trip system	A-6
Overview of functions	A-8
ET trip system	A-8
ETA trip system	A-10
ETV trip system	A-12
ET range of trip system	A-14
Accessories and test equipment	A-14
Connections	A-15
Overview of solutions and accessories	A-15
Accessories and auxiliaries	A-17
Locking	A-19
On the device	A-19
On the chassis	A-20
Indication contacts	A-21
Remote operation	A-22
Remote ON / OFF	A-22
Remote tripping	A-24
Source-changeover systems	A-25
Mechanical interlocking	A-25
Accessories	A-26
<i>Installation recommendations</i>	<i>B-1</i>
<i>Dimensions and connection</i>	<i>C-1</i>
<i>Electrical diagrams</i>	<i>D-1</i>
<i>Additional characteristics</i>	<i>E-1</i>
<i>Catalogue numbers and order form</i>	<i>F-1</i>

This overview describes all the functions offered by EasyPact MVS devices.



ET2I trip system.



ET5S trip system.



ET6G trip system.

Circuit breakers and switch-disconnectors page A-4

- Ratings:
 - EasyPact MVS 800 to 4000 A
 - Circuit breakers type N, H
 - Switch-disconnectors type NA, HA
 - 3 or 4 poles
 - Fixed or draw-out versions

ET trip system page A-8

- 2I basic protection
- 5S selective protection
- 6G selective + earth-fault protection
- Standard long-time rating plug:
 - Current setting (A) 0.4 to 1 x I_n

ETA trip system with current measurement page A-10

- 2I basic protection
- 5S selective protection
- 6G selective + earth-fault protection
- Standard long-time rating plug:
 - Current setting (A) 0.4 to 1 x I_n
- External power-supply module

ETV trip system with voltage measurement page A-12

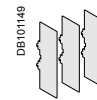
- 2I basic protection
- 5S selective protection
- 6G selective + earth-fault protection
- Standard long-time rating plug:
 - Current setting (A) 0.4 to 1 x I_n
- External power-supply module

Connections page A-15

- Rear connection:
 - Horizontal
 - Vertical
- Optional accessories:
 - Interphase barriers
 - Safety shutters and shutter locking blocks



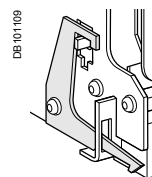
Safety shutters



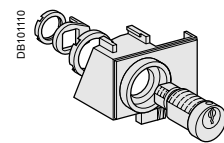
Interphase barriers

Locking page A-18

- Pushbutton locking by padlockable transparent cover
- OFF-position locking by keylock
- Chassis locking in disconnected position by keylock
- Chassis locking in connected, disconnected and test positions
- Door interlock (inhibits door opening with breaker in 'connected' or 'test' position)



Door interlock



Chassis key lock

PB104354A40



CPB100003



CPB100015



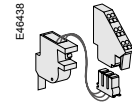
CPB100016



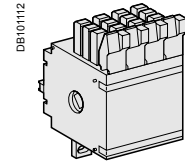
Indication contacts

page A-20

- Standard:
 - ON/OFF indication (OF)
 - "Fault" trip indication (SDE)
- Optional:
 - Additional ON/OFF indication (OF)
 - Ready-to-close contact (PF)
 - Carriage switches for connected (CE) disconnected (CD) and test (CT) positions



Ready-to-close contact

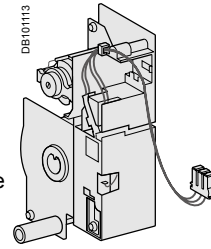


OF contact

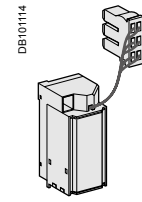
Remote operation

page A-21

- Remote ON/OFF:
 - Gear motor
 - XF closing or MX opening voltage releases
- Remote tripping function:
 - MN voltage release
 - Standard
 - Adjustable or non-adjustable delay



Gear motor

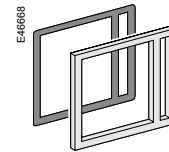


MX, XF and MN voltage releases

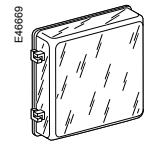
Accessories

page A-25

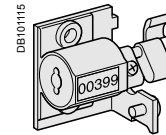
- Auxiliary terminal shield
- Operation counter
- Escutcheon (Door sealing frame)
- Transparent cover for escutcheon
- Escutcheon blanking plate



Escutcheon



Transparent cover

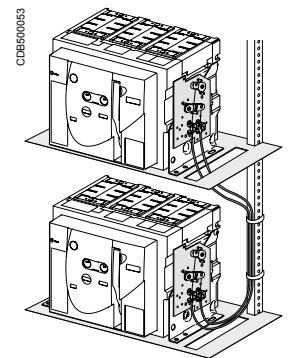


Mechanical operation counter

Source-changeover systems

page A-24

- Mechanical interlocking using cables:
 - Interlocking between two devices
 - Interlocking between three devices



Interlocking of two devices

Circuit breakers and switch-disconnectors

MVS08 to MVS40



Circuit breaker.



Switch disconnector.

Common characteristics

Number of poles		3/4
Rated insulation voltage (V)	Ui	1000
Impulse withstand voltage (kV)	Uimp	12
Rated operational voltage (V AC 50/60 Hz)	Ue	690
Suitability for isolation	IEC 60947-2	Yes
Degree of pollution	IEC 60664-1	4

Basic circuit-breaker

Circuit-breaker as per IEC 60947-2

Rated current (A)	In	at 40°C ⁽¹⁾
Rating of 4th pole (A)		

Sensor ratings (A)

Type of circuit breaker

Ultimate breaking capacity (kA rms) V AC 50/60 Hz	Icu	220...440V 690 V
Rated service breaking capacity (kA rms)	Ics	% Icu

Utilisation category

Rated short-time withstand current (kA rms) V AC 50/60 Hz	Icw	1s	220...440 V 690V 440/690V
		3s	

Rated making capacity (kA peak) V AC 50/60 Hz	Icm	220...440 V 690 V
--	-----	----------------------

Breaking time (ms) between tripping order and arc extinction

Closing time (ms)

Switch-disconnector as per IEC60947-3 and Annex A

Type of switch-disconnector

Operational current AC23A

Rated making capacity (kA peak)	Icm	
Rated short-time withstand current (kA rms)	Icw	1s 3s

Maintenance/Connection/Installation

Service life C/O cyclesx1000	Mechanical	with maintenance	
		without maintenance	
	Electrical	without maintenance	440 V 690 V

Connection	Horizontal	
	Vertical	

Dimensions (mm) (H x W x D)	Draw-out	3P
		4P
	Fixed	3P
		4P

Weight (kg) (approximate)	Draw-out	3P/4P
	Fixed	3P/4P

(1) Refer page no. B-12 for details on temperature derating.

MVS08		MVS10		MVS12		MVS16		MVS20		MVS25		MVS32		MVS40	
800		1000		1250		1600		2000		2500		3200		4000	
800		1000		1250		1600		2000		2500		3200		4000	
800		1000		1250		1600		2000		2500		3200		4000	
N	H	N	H	N	H	N	H	N	H	N	H	N	H	N	H
50	65	50	65	50	65	50	65	50	65	50	65	50	65	55	65
42	50	42	50	42	50	42	50	42	50	42	50	42	50	42	50
100%		100%		100%		100%		100%		100%		100%		100%	
B		B		B		B		B		B		B		B	
50	65	50	65	50	65	50	65	50	65	50	65	50	65	55	65
42	50	42	50	42	50	42	50	42	50	42	50	42	50	42	50
25	36	25	36	25	36	25	36	25	36	25	36	25	36	30	36
105	143	105	143	105	143	105	143	105	143	105	143	105	143	121	143
88	105	88	105	88	105	88	105	88	105	88	105	88	105	88	105
25		25		25		25		25		25		25		25	
<70		<70		<70		<70		<70		<70		<70		<70	
MVS08		MVS10		MVS12		MVS16		MVS20		MVS25		MVS32		MVS40	
NA	HA	NA	HA	NA	HA	NA	HA	NA	HA	NA	HA	NA	HA	NA	HA
800		1000		1250		1600		2000		2500		3200		4000	
105	143	105	143	105	143	105	143	105	143	105	143	105	143	121	143
50	65	50	65	50	65	50	65	50	65	50	65	50	65	55	65
25	36	25	36	25	36	25	36	25	36	25	36	25	36	30	36
20		20		20		20		20		20		20		20	
10		10		10		10		10		10		10		10	
6000		6000		6000		6000		6000		5000		5000		5000	
4000		4000		4000		4000		4000		2500		2500		2500	
Yes															
Yes															
439 x 441 x 395															
439 x 556 x 395															
352 x 422 x 297															
352 x 537 x 297															
70/85										90/120					
40/50										60/80					

EasyPact MVS circuit breakers equipped with ET range of trip system are designed to protect power circuit and connected loads.

Measurement of current and voltage helps users to maintain continuity of service and optimize installation.

CPB10001



Dependability

Integration of protection functions in an ASIC electronic component used in all trip units guarantees a high degree of reliability and immunity to conducted or radiated disturbances.

On ET range, measurement functions are managed by an independent microprocessor. Protection functions are independent of measurement functions, ensure system protection even at very low load currents.

Accessories

Certain functions require the addition of trip unit accessories, described on page A-14.

Trip unit name codes

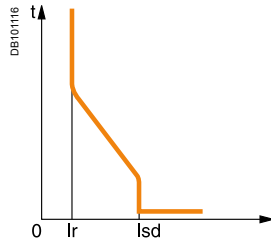
Type of protection

- 2I for basic protection
- 5S for selective protection
- 6G for selective + earth-fault protection

Type of measurement

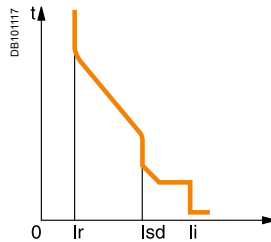
- ET for basic
- ETA for "Current"
- ETV for "Current" and "Voltage"

ET2I: basic protection



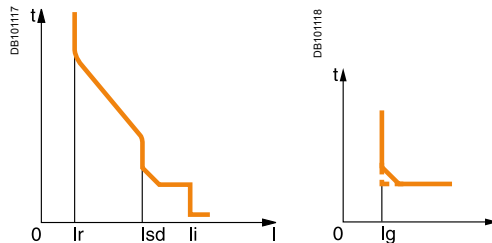
Protection:
long time
+ instantaneous

ET5S: selective protection



Protection:
long time
+ short time
+ instantaneous

ET6G: selective + earth-fault protection



Protection:
long time
+ short time
+ instantaneous
+ earth fault

Protection and measurement functions

ET	ETA	ETV
<ul style="list-style-type: none"> ■ Fault indications ■ Settings in amperes and in seconds 	<ul style="list-style-type: none"> ■ $I_1, I_2, I_3, I_N, I_{\text{earth-fault}}$, and maximeter for these measurements: <ul style="list-style-type: none"> □ Fault indications □ Settings in amperes and in seconds 	<ul style="list-style-type: none"> ■ Incorporates all the rms measurements of ETA trip unit, plus voltage readings: <ul style="list-style-type: none"> □ Calculates the current demand value □ “Quickview” function for the automatic cyclical display of the most useful values

2I



2I



2I



5S



5S



5S



6G



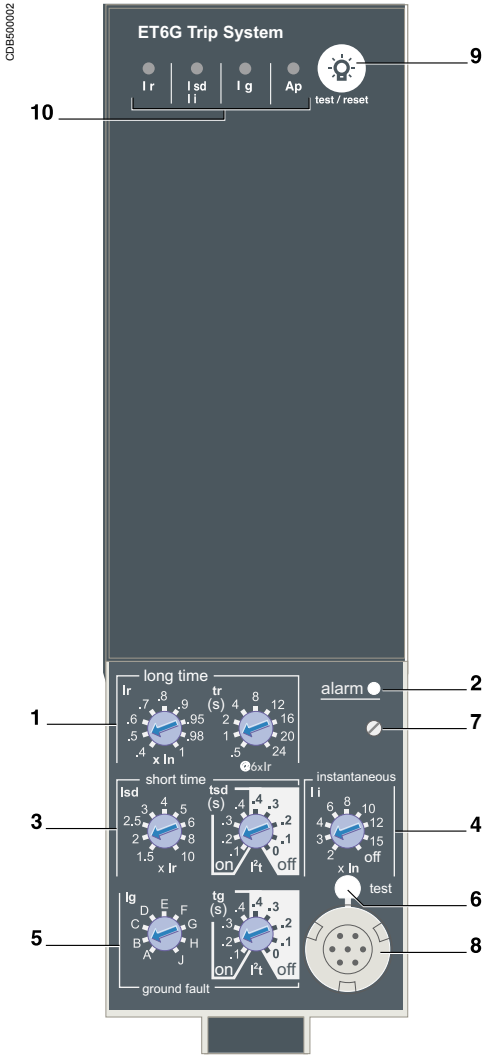
6G



6G



ET trip unit protect power circuits, under overload & short-circuit conditions. They are equipped with individual fault trip indication LEDs. ET6G provides earth-fault protection.



- 1 Long-time threshold and tripping delay.
- 2 Overload alarm (LED) at 1, 125 Ir.
- 3 Short-time pick-up and tripping delay.
- 4 Instantaneous pick-up.
- 5 Earth-fault pick-up and tripping delay.
- 6 Earth-fault test button.
- 7 Long-time rating plug screw.
- 8 Test connector.
- 9 Lamp test, reset and battery test.
- 10 Indication of tripping cause.

(1) The thermal memory continuously accounts for the amount of heat in the cables, both before and after tripping, whatever the value of the current (presence of an overload or not). The thermal memory optimises the long-time protection function of the circuit breaker by taking into account the temperature rise in the cables. The thermal memory assumes a cable cooling time of approximately 20 minutes.

(2) Refer to page D-5 for more details on ZSI.

Note: ET trip control units come with a transparent leadseal cover as standard.

Protection

Protection thresholds and delays are set using the adjustment dials.

Overload protection

True rms long-time protection.

Protects cables (phase and neutral) against overloads

Thermal memory⁽¹⁾: thermal image before and after tripping.

Short-time protection

■ The short-time protection function protects the distribution system against impedant short-circuits

■ The short-time tripping delay can be used to ensure discrimination with downstream circuit breaker

■ The I²t ON and I²t OFF options enhance discrimination with a downstream protection devices

■ Use of I²t curves with short-time protection:

□ I²t OFF selected: the protection function implements a constant time curve

□ I²t ON selected: the protection function implements an I²t inverse-time curve up to 10 Ir. Above 10 Ir, the time curve is constant

Earth-fault protection on ET6G trip system

Residual earth fault protection.

Selection of I²t type (ON or OFF) for delay.

A ground fault in the protection conductors can provoke local temperature rise at the site of the fault or in the conductors. The purpose of the ground-fault protection function is to eliminate this type of fault.

Type	Description
Residual	<ul style="list-style-type: none"> ■ The function determines the zero-phase sequence current, i.e. the vectorial sum of the phase and neutral currents ■ It detects faults downstream of the circuit breaker

Instantaneous protection

The Instantaneous-protection function protects the distribution system against solid short-circuits. Contrary to the short-time protection function, the tripping delay for instantaneous protection is not adjustable. The tripping order is sent to the circuit breaker as soon as current exceeds the set value, with a fixed time delay of 20 milliseconds.

Neutral protection

On three-pole circuit breakers, neutral protection is not possible.

On four-pole circuit breakers, neutral protection may be set using a three-position switch: neutral unprotected (4P 3d), neutral protection at 0.5 Ir (4P 3d + N/2), neutral protection at Ir (4P 4d).

Zone selective interlocking (ZSI)

A ZSI⁽²⁾ terminal block may be used to interconnect a number of control units to provide total discrimination for short-time and earth-fault protection, without a delay before tripping.

Overload alarm

A yellow alarm LED goes on when the current exceeds the long-time trip threshold.

Fault indications

LEDs indicate the type of fault:

- Overload (long-time protection Ir)
- Short-circuit (short-time Isd or instantaneous Ii protection)
- Earth fault (Ig)
- Internal fault (Ap)

Battery power

The fault indicating LEDs are powered by an in-built battery. The fault indication LEDs remain on until the test/reset button is pressed.

Test

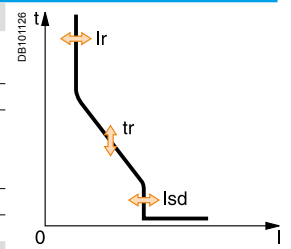
A hand-held test kit may be connected to the test connector on the front to check circuit-breaker operation. For ET6G trip unit, the operation of earth-fault protection can be checked by pressing the test button located above the test connector.



Protection

ET2I

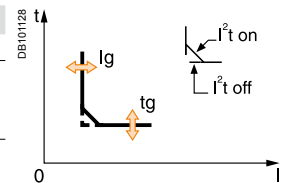
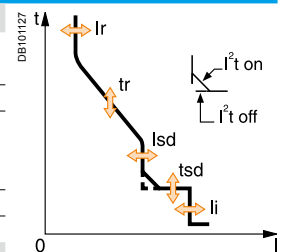
Long time		ET2I									
Current setting (A)	$I_r = I_n \times \dots$	0.4	0.5	0.6	0.7	0.8	0.9	0.95	0.98	1	
Tripping between 1.05 and 1.20 x I_r											
Time setting		tr (s)	0.5	1	2	4	8	12	16	20	24
Time delay (s)	Accuracy: 0 to -30 %	1.5 x I_r	12.5	25	50	100	200	300	400	500	600
	Accuracy: 0 to -20 %	6 x I_r	0.7 ⁽¹⁾	1	2	4	8	12	16	20	24
	Accuracy: 0 to -20 %	7.2 x I_r	0.7 ⁽²⁾	0.69	1.38	2.7	5.5	8.3	11	13.8	16.6
Thermal memory		20 minutes before and after tripping									
<i>(1) 0 to -40 % - (2) 0 to -60 %</i>											
Instantaneous											
Pick-up (A)	$I_{sd} = I_r \times \dots$	1.5	2	2.5	3	4	5	6	8	10	
Accuracy: $\pm 10\%$											
Time delay		Max resettable time: 20 ms Max break time: 80 ms									



Protection

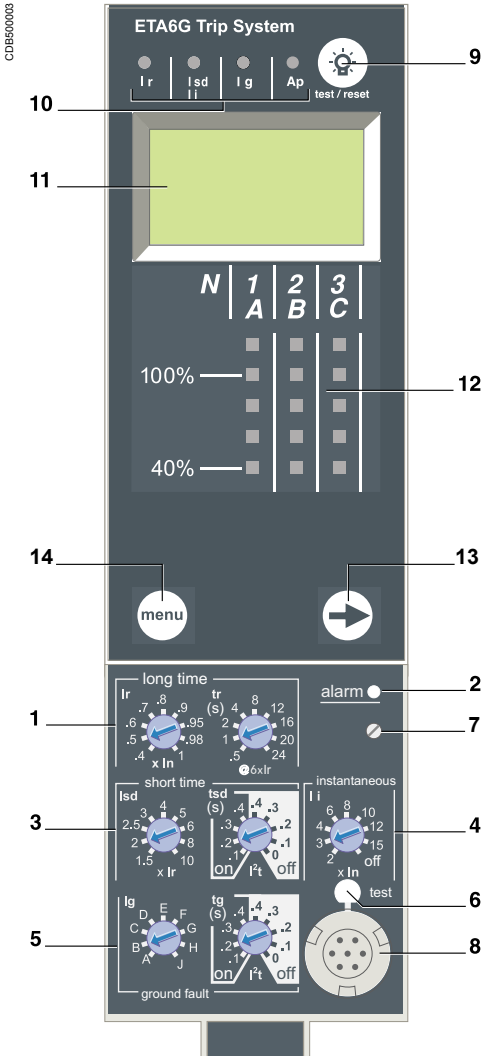
ET5S/ET6G

Long time		ET5S/ET6G										
Current setting (A)	$I_r = I_n \times \dots$	0.4	0.5	0.6	0.7	0.8	0.9	0.95	0.98	1		
Tripping between 1.05 and 1.20 x I_r												
Time setting		tr (s)	0.5	1	2	4	8	12	16	20	24	
Time delay (s)	Accuracy: 0 to -30 %	1.5 x I_r	12.5	25	50	100	200	300	400	500	600	
	Accuracy: 0 to -20 %	6 x I_r	0.7 ⁽¹⁾	1	2	4	8	12	16	20	24	
	Accuracy: 0 to -20 %	7.2 x I_r	0.7 ⁽²⁾	0.69	1.38	2.7	5.5	8.3	11	13.8	16.6	
Thermal memory		20 minutes before and after tripping										
<i>(1) 0 to -40 % - (2) 0 to -60 %</i>												
Short time												
Pick-up (A)	$I_{sd} = I_r \times \dots$	1.5	2	2.5	3	4	5	6	8	10		
Accuracy: $\pm 10\%$												
Time setting tsd (s)	Settings	I^2t Off	0	0.1	0.2	0.3	0.4					
		I^2t On	-	0.1	0.2	0.3	0.4					
Time delay (ms) at 10 x I_r (I^2t Off or I^2t On)	tsd (max resettable time)		20	80	140	230	350					
	tsd (max break time)		80	140	200	320	500					
Instantaneous												
Pick-up (A)	$I_i = I_n \times \dots$	2	3	4	6	8	10	12	15	off		
Accuracy: $\pm 10\%$												
Time delay		Max resettable time: 20 ms Max break time: 50 ms										
Earth fault		ET6G										
Pick-up (A)	$I_g = I_n \times \dots$	A	B	C	D	E	F	G	H	J		
Accuracy: $\pm 10\%$	$I_n \leq 400$ A	0.3	0.3	0.4	0.5	0.6	0.7	0.8	0.9	1		
	$400 < I_n \leq 1000$ A	0.2	0.3	0.4	0.5	0.6	0.7	0.8	0.9	1		
	$I_n \geq 1250$ A	500	640	720	800	880	960	1040	1120	1200		
Time setting tg (s)	Settings	I^2t Off	0	0.1	0.2	0.3	0.4					
		I^2t On	-	0.1	0.2	0.3	0.4					
Time delay (ms)	tg (max resettable time)		20	80	140	230	350					
	at I_n or 1200 A (I^2t Off or I^2t On)	tg (max break time)		80	140	200	320	500				



Note: All current-based protection functions require no auxiliary source.
The test / reset button, clears the tripping indication and tests the battery.

ETA trip units include all functions offered by ET trip unit. In addition, they also offer measurements, display and current maximeters.



- 1 Long-time threshold and tripping delay.
- 2 Overload alarm (LED) at 1, 125 Ir.
- 3 Short-time pick-up and tripping delay.
- 4 Instantaneous pick-up.
- 5 Earth-fault pick-up and tripping delay.
- 6 Earth-fault test button.
- 7 Long-time rating plug screw.
- 8 Test connector.
- 9 Lamp test, reset and battery test.
- 10 Indication of tripping cause.
- 11 Digital display.
- 12 Three-phase bargraph and ammeter.
- 13 Navigation button to view menu contents.
- 14 Navigation button to change menu.

(1) The thermal memory continuously accounts for the amount of heat in the cables, both before and after tripping, whatever the value of the current (presence of an overload or not). The thermal memory optimises the long-time protection function of the circuit breaker by taking into account the temperature rise in the cables. The thermal memory assumes a cable cooling time of approximately 20 minutes.

(2) Refer to page D-5 for more details on ZSI.

Note: ETA trip units come with a transparent leadseal cover as standard.

“Ammeter” measurements

ETA trip units measure the true (rms) value of currents. They provide continuous current measurements from 0.2 to 1.2 In and are accurate to within 1.5 % (including the sensors). A digital LCD screen continuously displays the most heavily loaded phase (Imax) or displays the I₁, I₂, I₃, I_N, I_g, stored-current (maximeter) and setting values by successively pressing the navigation button. The optional external power supply makes it possible to display currents < 20 % In. Below 0.1 In, measurements are not significant. Between 0.1 and 0.2 In, accuracy changes linearly from 4 % to 1.5 %.

Protection

Protection thresholds and delays are set using the adjustment dials.

Overload protection

True rms long-time protection.
Protects cables (phase and neutral) against overloads
Thermal memory⁽¹⁾: thermal image before and after tripping.

Short-time protection

- The short-time protection function protects the distribution system against impedant short-circuits
- The short-time tripping delay can be used to ensure discrimination with downstream circuit breaker
- The I²t ON and I²t OFF options enhance discrimination with a downstream protection devices
- Use of I²t curves with short-time protection:
 - I²t OFF selected: the protection function implements a constant time curve
 - I²t ON selected: the protection function implements an I²t inverse-time curve up to 10 Ir. Above 10 Ir, the time curve is constant

Earth-fault protection on ETA6G trip system

Residual earth fault protection.
Selection of I²t type (ON or OFF) for delay.
A ground fault in the protection conductors can provoke local temperature rise at the site of the fault or in the conductors. The purpose of the ground-fault protection function is to eliminate this type of fault.

Type	Description
Residual	<ul style="list-style-type: none"> ■ The function determines the zero-phase sequence current, i.e. the vectorial sum of the phase and neutral currents ■ It detects faults downstream of the circuit breaker

Instantaneous protection

The instantaneous-protection function protects the distribution system against solid short-circuits. Contrary to the short-time protection function, the tripping delay for instantaneous protection is not adjustable. The tripping order is sent to the circuit breaker as soon as current exceeds the set value, with a fixed time delay of 20 milliseconds.

Neutral protection

On three-pole circuit breakers, neutral protection is not possible.
On four-pole circuit breakers, neutral protection may be set using a three-position switch: neutral unprotected (4P 3d), neutral protection at 0.5 Ir (4P 3d + N/2), neutral protection at Ir (4P 4d).

Zone selective interlocking (ZSI)

A ZSI⁽²⁾ terminal block may be used to interconnect a number of control units to provide total discrimination for short-time and earth-fault protection, without a delay before tripping.

Overload alarm

A yellow alarm LED goes on when the current exceeds the long-time trip threshold.

Fault indications

- LEDs indicate the type of fault:
- Overload (long-time protection Ir)
 - Short-circuit (short-time Isd or instantaneous Ii protection)
 - Earth fault (I_g)
 - Internal fault (Ap)

Battery power

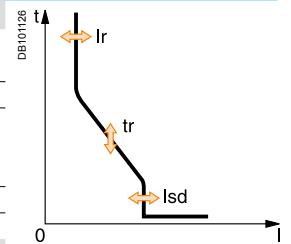
The fault indicating LEDs are powered by an in-built battery. The fault indication LEDs remain on until the test/reset button is pressed.

Test

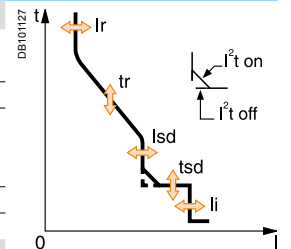
A hand-held test kit may be connected to the test connector on the front to check circuit-breaker operation. For ETA6G trip unit, the operation of earth-fault protection can be checked by pressing the test button located above the test connector.



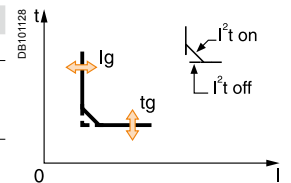
Protection		ETA21									
Long time		ETA21									
Current setting (A)	$I_r = I_n \times \dots$	0.4	0.5	0.6	0.7	0.8	0.9	0.95	0.98	1	
Tripping between 1.05 and 1.20 x I_r											
Time setting		tr (s)	0.5	1	2	4	8	12	16	20	24
Time delay (s)	Accuracy: 0 to -30 %	1.5 x I_r	12.5	25	50	100	200	300	400	500	600
	Accuracy: 0 to -20 %	6 x I_r	0.7 ⁽¹⁾	1	2	4	8	12	16	20	24
	Accuracy: 0 to -20 %	7.2 x I_r	0.7 ⁽²⁾	0.69	1.38	2.7	5.5	8.3	11	13.8	16.6
Thermal memory		20 minutes before and after tripping									
<i>(1) 0 to -40 % - (2) 0 to -60 %</i>											
Instantaneous											
Pick-up (A)	$I_{sd} = I_r \times \dots$	1.5	2	2.5	3	4	5	6	8	10	
Accuracy: ±10 %											
Time delay		Max resettable time: 20 ms Max break time: 80 ms									



Protection		ETA5S/ETA6G										
Long time		ETA5S/ETA6G										
Current setting (A)	$I_r = I_n \times \dots$	0.4	0.5	0.6	0.7	0.8	0.9	0.95	0.98	1		
Tripping between 1.05 and 1.20 x I_r												
Time setting		tr (s)	0.5	1	2	4	8	12	16	20	24	
Time delay (s)	Accuracy: 0 to -30 %	1.5 x I_r	12.5	25	50	100	200	300	400	500	600	
	Accuracy: 0 to -20 %	6 x I_r	0.7 ⁽¹⁾	1	2	4	8	12	16	20	24	
	Accuracy: 0 to -20 %	7.2 x I_r	0.7 ⁽²⁾	0.69	1.38	2.7	5.5	8.3	11	13.8	16.6	
Thermal memory		20 minutes before and after tripping										
<i>(1) 0 to -40 % - (2) 0 to -60 %</i>												
Short time												
Pick-up (A)	$I_{sd} = I_r \times \dots$	1.5	2	2.5	3	4	5	6	8	10		
Accuracy: ±10 %												
Time setting tsd (s)	Settings	I^2t Off	0	0.1	0.2	0.3	0.4					
		I^2t On	-	0.1	0.2	0.3	0.4					
Time delay (ms) at 10 x I_r (I^2t Off or I^2t On)		tsd (max resettable time)	20	80	140	230	350					
		tsd (max break time)	80	140	200	320	500					
Instantaneous												
Pick-up (A)	$I_i = I_n \times \dots$	2	3	4	6	8	10	12	15	off		
Accuracy: ±10 %												
Time delay		Max resettable time: 20 ms Max break time: 50 ms										



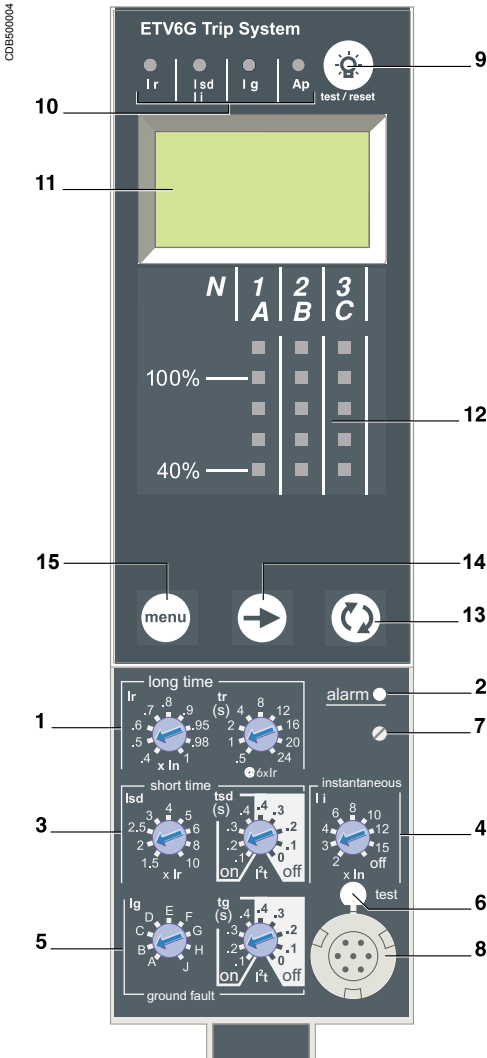
Earth fault		ETA6G										
Pick-up (A)	$I_g = I_n \times \dots$	A	B	C	D	E	F	G	H	J		
Accuracy: ±10 %	$I_n \leq 400$ A	0.3	0.3	0.4	0.5	0.6	0.7	0.8	0.9	1		
	$400 < I_n \leq 1000$ A	0.2	0.3	0.4	0.5	0.6	0.7	0.8	0.9	1		
	$I_n \geq 1250$ A	500	640	720	800	880	960	1040	1120	1200		
Time setting tg (s)	Settings	I^2t Off	0	0.1	0.2	0.3	0.4					
		I^2t On	-	0.1	0.2	0.3	0.4					
Time delay (ms) at I_n or 1200 A (I^2t Off or I^2t On)		tg (max resettable time)	20	80	140	230	350					
		tg (max break time)	80	140	200	320	500					



Ammeter		ETA21/ETA5S/ETA6G		
Type of measurements		Range	Accuracy	
Instantaneous currents	I_1, I_2, I_3, I_n	0.2 x I_n to 1.2 x I_n	± 1.5 %	
	I_g (ETA6G)	0.2 x I_n to I_n	± 10 %	
Current maximizers of	I_1, I_2, I_3, I_n	0.2 x I_n to 1.2 x I_n	± 1.5 %	

Note: All current-based protection functions require no auxiliary source.
The test / reset button resets maximizers, clears the tripping indication and tests the battery.

ETV trip units include all the functions offered by ETA. In addition, they measure voltage values. They also offer trip history & display tripping cause.



- 1 Long-time threshold and tripping delay.
- 2 Overload alarm (LED) at 1,125 Ir.
- 3 Short-time pick-up and tripping delay.
- 4 Instantaneous pick-up.
- 5 Earth-fault pick-up and tripping delay.
- 6 Earth-fault test button.
- 7 Long-time rating plug screw.
- 8 Test connector.
- 9 Lamp test, reset and battery test.
- 10 Indication of tripping cause.
- 11 Digital display.
- 12 Three-phase bargraph and ammeter.
- 13 Navigation button "quick View" (only with ETV).
- 14 Navigation button to view menu contents.
- 15 Navigation button to change menu.

(1) The thermal memory continuously accounts for the amount of heat in the cables, both before and after tripping, whatever the value of the current (presence of an overload or not). The thermal memory optimises the long-time protection function of the circuit breaker by taking into account the temperature rise in the cables. The thermal memory assumes a cable cooling time of approximately 20 minutes.

(2) Refer to page D-5 for more details on ZSI.

Note: ETV trip units come with a transparent leadseal cover as standard.

"Voltage meter" measurements

In addition to the ammeter measurements of ETA

ETV trip units measure and display:

- Current demand
 - Voltages: phase to phase, phase to neutral, average and unbalanced
- The range of measurement is the same as current with ETA, depending on an external power supply module.

Protection

Protection thresholds and delays are set using the adjustment dials.

Overload protection

True rms long-time protection.
Protects cables (phase and neutral) against overloads
Thermal memory⁽¹⁾: thermal image before and after tripping.

Short-time protection

- The short-time protection function protects the distribution system against impedant short-circuits
- The short-time tripping delay can be used to ensure discrimination with downstream circuit breaker
- The I²t ON and I²t OFF options enhance discrimination with a downstream protection devices
- Use of I²t curves with short-time protection:
 - I²t OFF selected: the protection function implements a constant time curve
 - I²t ON selected: the protection function implements an I²t inverse-time curve up to 10 Ir. Above 10 Ir, the time curve is constant

Earth-fault protection on ETV6G trip system

Residual or source ground return earth fault protection.

Selection of I²t type (ON or OFF) for delay.

A ground fault in the protection conductors can provoke local temperature rise at the site of the fault or in the conductors. The purpose of the ground-fault protection function is to eliminate this type of fault.

Type	Description
Residual	<ul style="list-style-type: none"> ■ The function determines the zero-phase sequence current, i.e. the vectorial sum of the phase and neutral currents ■ It detects faults downstream of the circuit breaker

Instantaneous protection

The instantaneous-protection function protects the distribution system against solid short-circuits. Contrary to the short-time protection function, the tripping delay for instantaneous protection is not adjustable. The tripping order is sent to the circuit breaker as soon as current exceeds the set value, with a fixed time delay of 20 milliseconds.

Neutral protection

On three-pole circuit breakers, neutral protection is not possible.
On four-pole circuit breakers, neutral protection may be set using a three-position switch: neutral unprotected (4P 3d), neutral protection at 0.5 Ir (4P 3d + N/2), neutral protection at Ir (4P 4d).

Zone selective interlocking (ZSI)

A ZSI⁽²⁾ terminal block may be used to interconnect a number of control units to provide total discrimination for short-time and earth-fault protection, without a delay before tripping.

Overload alarm

A yellow alarm LED goes on when the current exceeds the long-time trip threshold.

Fault indications

LEDs indicate the type of fault:

- Overload (long-time protection Ir)
- Short-circuit (short-time Isd or instantaneous Ii protection)
- Earth fault (Ig)
- Internal fault (Ap)

Trip history

The trip history displays the list of the last 10 trips. For each trip, the following indications are recorded and displayed:

- the tripping cause: Ir, Isd, Ii, Ig or Auto-protection (Ap) trips

Battery power

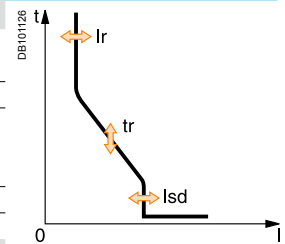
The fault indicating LEDs are powered by an in-built battery. The fault indication LEDs remain on until the test/reset button is pressed.

Test

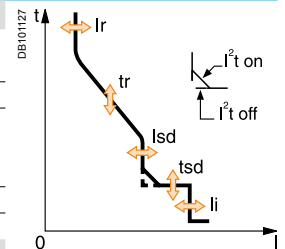
A hand-held test kit may be connected to the test connector on the front to check circuit-breaker operation. For ETV6G trip unit, the operation of earth-fault protection can be checked by pressing the test button located above the test connector.



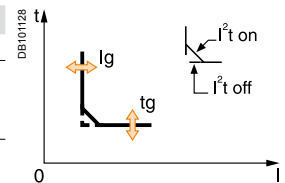
Protection		ETV2I									
Long time		ETV2I									
Current setting (A)	$I_r = I_n \times \dots$	0.4	0.5	0.6	0.7	0.8	0.9	0.95	0.98	1	
Tripping between 1.05 and 1.20 x I_r											
Time setting		tr (s)	0.5	1	2	4	8	12	16	20	24
Time delay (s)	Accuracy: 0 to -30 %	1.5 x I_r	12.5	25	50	100	200	300	400	500	600
	Accuracy: 0 to -20 %	6 x I_r	0.7 ⁽¹⁾	1	2	4	8	12	16	20	24
	Accuracy: 0 to -20 %	7.2 x I_r	0.7 ⁽²⁾	0.69	1.38	2.7	5.5	8.3	11	13.8	16.6
Thermal memory		20 minutes before and after tripping									
(1) 0 to -40 % - (2) 0 to -60 %											
Instantaneous											
Pick-up (A)	$I_{sd} = I_r \times \dots$	1.5	2	2.5	3	4	5	6	8	10	
Accuracy: ±10 %											
Time delay		Max resettable time: 20 ms Max break time: 80 ms									



Protection		ETV5S/ETV6G										
Long time		ETV5S/ETV6G										
Current setting (A)	$I_r = I_n \times \dots$	0.4	0.5	0.6	0.7	0.8	0.9	0.95	0.98	1		
Tripping between 1.05 and 1.20 x I_r												
Time setting		tr (s)	0.5	1	2	4	8	12	16	20	24	
Time delay (s)	Accuracy: 0 to -30 %	1.5 x I_r	12.5	25	50	100	200	300	400	500	600	
	Accuracy: 0 to -20 %	6 x I_r	0.7 ⁽¹⁾	1	2	4	8	12	16	20	24	
	Accuracy: 0 to -20 %	7.2 x I_r	0.7 ⁽²⁾	0.69	1.38	2.7	5.5	8.3	11	13.8	16.6	
Thermal memory		20 minutes before and after tripping										
(1) 0 to -40 % - (2) 0 to -60 %												
Short time												
Pick-up (A)	$I_{sd} = I_r \times \dots$	1.5	2	2.5	3	4	5	6	8	10		
Accuracy: ±10 %												
Time setting tsd (s)	Settings	I^2t Off	0	0.1	0.2	0.3	0.4					
		I^2t On	-	0.1	0.2	0.3	0.4					
Time delay (ms) at 10 x I_r (I^2t Off or I^2t On)	tsd (max resettable time)		20	80	140	230	350					
		tsd (max break time)	80	140	200	320	500					
Instantaneous												
Pick-up (A)	$I_i = I_n \times \dots$	2	3	4	6	8	10	12	15	off		
Accuracy: ±10 %												
Time delay		Max resettable time: 20 ms Max break time: 50 ms										



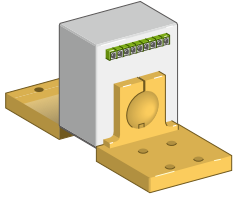
Earth fault		ETV6G										
Pick-up (A)	$I_g = I_n \times \dots$	A	B	C	D	E	F	G	H	J		
Accuracy: ±10 %	$I_n \leq 400$ A	0.3	0.3	0.4	0.5	0.6	0.7	0.8	0.9	1		
	400 A < $I_n \leq 1000$ A	0.2	0.3	0.4	0.5	0.6	0.7	0.8	0.9	1		
	$I_n \geq 1250$ A	500	640	720	800	880	960	1040	1120	1200		
Time setting tg (s)	Settings	I^2t Off	0	0.1	0.2	0.3	0.4					
		I^2t On	-	0.1	0.2	0.3	0.4					
Time delay (ms) at I_n or 1200 A (I^2t Off or I^2t On)	tg (max resettable time)		20	80	140	230	350					
		tg (max break time)	80	140	200	320	500					



Energy		ETV2I/5S/6G		
Type of measurements		Range	Accuracy	
Instantaneous currents	I_1, I_2, I_3, I_n	0.2 x I_n to 1.2 x I_n	± 1.5 %	
	I_g (ETV6G)	0.2 x I_n to I_n	± 10 %	
Current maximeters of	I_1, I_2, I_3, I_n	0.2 x I_n to 1.2 x I_n	± 1.5 %	
Demand currents of	I_1, I_2, I_3, I_g	0.2 x I_n to 1.2 x I_n	± 1.5 %	
Voltages	$V_{12}, V_{23}, V_{31}, V_{1N}, V_{2N}, V_{3N}$	100 to 690 V	± 0.5 %	

Note: All current-based protection functions require no auxiliary source.
The test / reset button resets maximeters, clears the tripping indication and tests the battery.

DB101524



External sensor (CT).

External sensors

External sensor for earth-fault protection

The sensors, used with the 3P circuit breakers, are installed on the neutral conductor for:

- Residual type earth-fault protection (with 6G trip units)

The rating of the sensor (CT) must be compatible with the rating of the circuit breaker:

- MVS08 to MVS20: TC 400/2000
- MVS25 to MVS40: TC 1000/4000

Voltage measurement inputs⁽¹⁾

As standard, the control unit is supplied by internal voltage measurement inputs placed downstream of the pole for voltages between 220 and 690 V AC.

External 24 V DC power-supply module

The external power-supply module makes it possible to use the display (ETA and ETV trip systems) even if the circuit breaker is open or not supplied (for the exact conditions of use, see the "electrical diagrams" part of this catalogue).

Characteristics

- Power supply:
 - 110/130, 200/240, 380/415 V AC (+10 % -15 %)
 - 24/30, 48/60, 100/125 V DC (+20 % -20 %)
- Output voltage: 24 V DC \pm 5 %, 1 A
- Ripple < 1 %
- Dielectric withstand : 3.5 kV rms between input/output, for 1 minute
- Overvoltage category: as per IEC 60947-1 cat. 4

PB101026-32A



External 24 V DC power supply module.

Spare parts

Lead-seal covers

A lead-seal cover controls access to the adjustment dials.

When the cover is closed:

- It is impossible to modify settings using the keypad unless the settings lockout pin on the cover is removed
- The test connector remains accessible
- The test button for the earth-fault protection function remains accessible

Characteristics

- Transparent cover for all trip units

Spare battery

A battery supplies power to the LEDs identifying the tripping causes. The healthiness of the battery to be checked periodically. A test button on the front of the control unit is used to check the battery condition. The battery may be replaced on site when discharged.

PB 100775-32



Lead-seal cover.

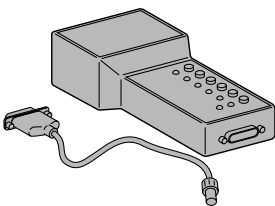
Test equipment

Hand-held test kit

The hand-held mini test kit may be used to:

- Check operation of the control unit and the tripping and pole-opening system by sending a signal simulating a short-circuit
- Power source: standard LR6-AA battery

CD8500038



Hand-held test kit.

⁽¹⁾ Refer to EasyPact MVS user manual on using 3 pole circuit breakers in 4 wire system with ETV trip system for voltage measurement.

Connections

Overview of solutions and accessories

Available connection:

- Rear connections: horizontal, vertical and mixed
- The solutions presented are similar in principle for all EasyPact MVS fixed and draw-out devices.

Rear connection

Horizontal

PB10435A40



Vertical

PB10435A40



Mixed

PB10435A40



Simply turn a horizontal rear connector 90° to make it a vertical connector.

CPB100010



Interphase barriers EIP

These barriers are flexible insulated partitions used to reinforce isolation of connection points in installations with busbars, whether insulated or not. For EasyPact MVS devices, they are installed vertically between rear connection terminals. They are not compatible with spreaders.

FB104384A50



Safety shutters VO

Mounted on the chassis, the safety shutters automatically block access to the disconnecting contact cluster when the device is in the disconnected or test positions (degree of protection IP 20) When the device is removed from its chassis, no live parts are accessible.

The shutter-locking system is made up of a moving block (optional device) that can be padlocked (padlock not supplied). The block:

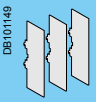
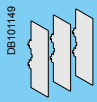
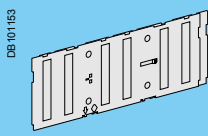
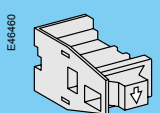
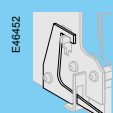
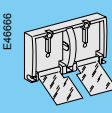
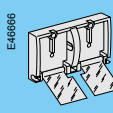
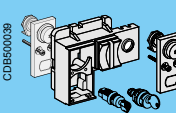
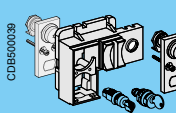
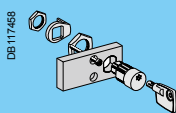
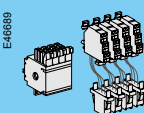
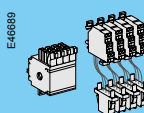
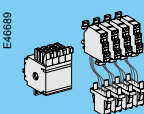
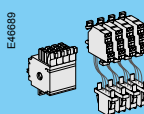
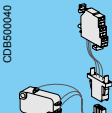
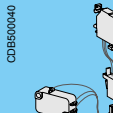
- Prevents connection of the device
- Locks the shutters in the closed position

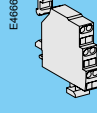
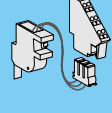
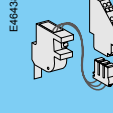
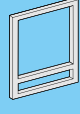
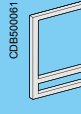
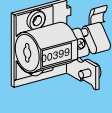
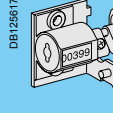
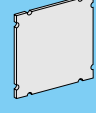
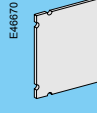
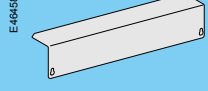

For EasyPact MVS08 to MVS40

A support at the bottom of the chassis is used to store the blocks when they are not used:

- 2 blocks for MVS08 to MVS40

Accessories and auxiliaries

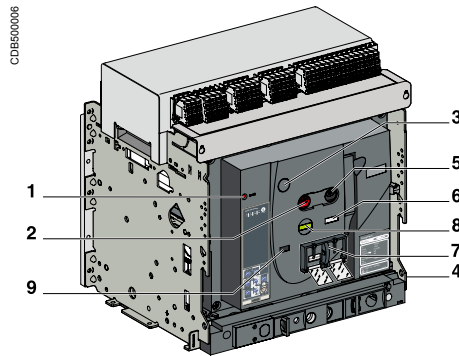
Type of accessory	EasyPact MVS08 to MVS40	
	Fixed breaker Rear connection	Draw-out breaker Rear connection
Interphase barriers	 DB101149 Optional	 DB101149 Optional
Safety shutters		 DB101153 Standard
Safety shutters locking blocks		 E46480 Optional
Door interlock		 E46482 Optional
Pushbutton locking device	 E46686 Optional	 E46686 Optional
OFF position locking	 CDB500039 Optional	 CDB500039 Optional
"Disconnected" position locking		 DB117468 Optional
ON/OFF indication contacts(OF)	 E46689 Standard	 E46689 Standard
Additional ON/OFF indication contacts(OF)	 E46689 Optional	 E46689 Optional
"Fault trip" indication contact(SDE)	 CDB500040 Standard	 CDB500040 Standard

Type of accessory	EasyPact MVS08 to MVS40	
	Fixed breaker Rear connection	Draw-out breaker Rear connection
“Connected, disconnected, test position” indication contact(CE,CD,CT)		 Optional
“Ready to close” contact(PF)	 Optional	 Optional
Escutcheon(CDP)	 Standard	 Standard
Mechanical operation counter(CDM)	 Optional	 Optional
Escutcheon blanking plate	 Optional	 Optional
Auxiliary terminal shield(CB)		 Optional
Transparent cover (IP54)		 Optional

Locking

On the device

- 1 Reset button for mechanical trip indication.
- 2 OFF pushbutton.
- 3 OFF position lock.
- 4 Door interlock.
- 5 ON pushbutton.
- 6 Spring charge indication.
- 7 Pushbutton locking.
- 8 Contact position indication.
- 9 Operation counter.



Access to pushbuttons protected by transparent cover.



Pushbutton locking using a padlock.



OFF position locking using a keylock.



Door interlock.

Pushbutton locking VBP

The transparent cover blocks access to the pushbuttons used to open and close the device.

It is possible to independently lock the opening button and the closing button. The locking device is often combined with a remote operating mechanism.

The pushbuttons may be locked using either:

- Three padlocks (not supplied)
- Lead seal
- Two screws

Device locking in the OFF position by keylocks VSPO

The circuit breaker is locked in the OFF position by physically maintaining the opening pushbutton pressed down:

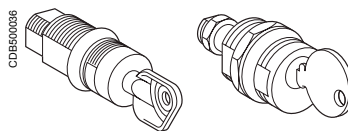
- Using keylocks (one or two keylocks, supplied)

Keys may be removed only when locking is effective (Profalux or Ronis type locks).

The keylocks are available in any of the following configurations:

- One keylock
- One keylock mounted on the device + one identical keylock supplied separately for interlocking with another device

A locking kit (without locks) is available for installation of one or two keylocks (Ronis, Profalux).



Profalux

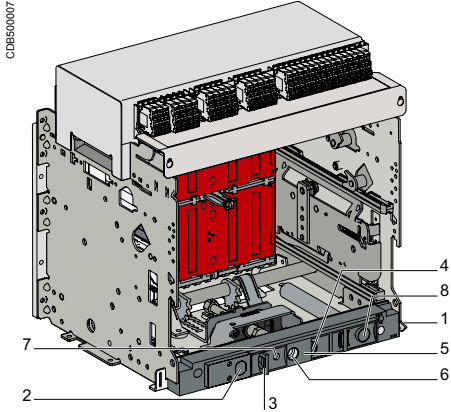
Ronis

Door interlock catch VPEC

Mounted on the right or left-hand side of the chassis, this device inhibits opening of the cubicle door when the circuit breaker is in "connected" or "test" position. If the breaker is put in the "connected" position with the door open, the door may be closed without having to disconnect the circuit breaker.

Automatic spring discharge before breaker removal DAE

This option discharges the springs before the breaker is removed from the chassis.



- 1 Door interlock.
- 2 Keylock locking.
- 3 Padlock locking.
- 4 Position indicator.
- 5 Chassis front plate (accessible with cubicle door closed).
- 6 Racking-handle entry.
- 7 Release button.
- 8 Racking-handle storage.

“Connected”, “disconnected” and “test” position racking interlock

The “connected”, “disconnected” and “test” positions are shown by an indicator and are mechanically indexed. The exact position is obtained when the racking handle blocks. A release button is used to free it.

“Disconnected” position locking by padlocks or keylocks VSPD

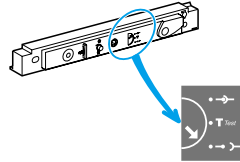
Mounted on the chassis and accessible with the door closed, these devices lock the circuit breaker in the “disconnected” position in two manners:

- Using padlocks (standard), up to three padlocks (not supplied)
 - Using keylocks (optional), one or two different keylocks are available
- Profalux and Ronis keylocks are available in different options:
- One keylock
 - Two identical key locks - one keylock mounted on the device + one identical keylock supplied separately for interlocking with another device

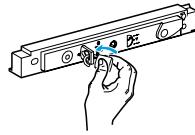
A locking kit (without locks) is available for installation of one or two keylocks (Ronis, Profalux).

Padlock

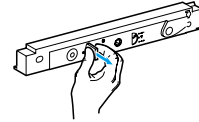
Circuit breaker in “disconnected” position.



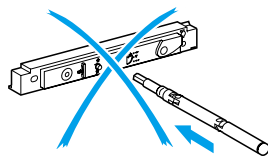
Insert the shackle (max. diameter 5 to 8 mm) of the padlock(s).



Pull out the tab.



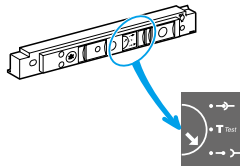
The crank cannot be inserted.



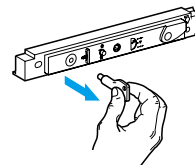
“Disconnected” position locking by padlock.

Keylock

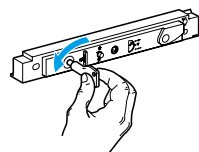
Circuit breaker in “disconnected” position.



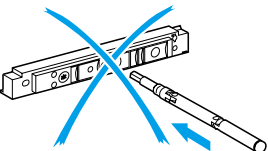
Remove the key(s)



Turn the key(s).



The crank cannot be inserted.

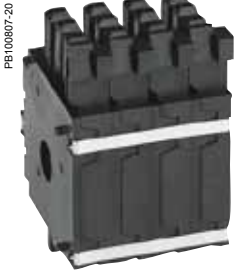


“Disconnected” position locking by keylock.

Indication contacts

Indication contacts are available:

- in the standard version for relay applications



ON/OFF indication contacts (OF) (rotary type).



"Fault-trip" indication contact (SDE).



CE, CD and CT "connected/disconnected/test" position carriage switches.

ON/OFF indication contacts OF

Indication contacts indicate the ON or OFF position of the circuit breaker:

- Rotary type changeover contacts directly driven by the mechanism for EasyPact MVS. These contacts trip when the minimum isolation distance between the main circuit-breaker contacts is reached

OF		MVS	
Supplied as standard		1 (4 C/O)	
Optional contact		1 (4 C/O)	
Breaking capacity (A)	Standard	Minimum load: 100 mA/24 V	
p.f.: 0.3	V AC	240/380	10/6 ⁽¹⁾
AC12/DC12		480	10/6 ⁽¹⁾
		690	6
	V DC	24/48	10/6 ⁽¹⁾
		125	10/6 ⁽¹⁾
		250	3

⁽¹⁾ Standard contacts: 10 A; optional contacts: 6 A.

"Fault-trip" indication contacts SDE

Circuit-breaker tripping due to a fault is signalled by:

- A red mechanical fault indicator (reset)
- One changeover contact SDE

Following tripping, the mechanical indicator must be reset before the circuit breaker may be closed. One SDE is supplied as standard.

SDE		MVS	
Supplied as standard		1	
Breaking capacity (A)	Standard	Minimum load: 100 mA/24 V	
p.f.: 0.3	V AC	240/380	5
AC12/DC12		480	5
		690	3
	V DC	24/48	3
		125	0.3
		250	0.15

"Connected", "disconnected" and "test" position carriage switches CE, CD & CT

Three series of optional auxiliary contacts are available for the chassis:

- Changeover contacts to indicate the "connected" position CE
- Changeover contacts to indicate the "disconnected" position CD. This position is indicated when the required clearance for isolation of the power and auxiliary circuits is reached
- Changeover contacts to indicate the "test" position CT. In this position, the power circuits are disconnected and the auxiliary circuits are connected

Contacts		MVS		
		CE/CD/CT		
Maximum number	Standard	3	3	3
Breaking capacity (A)	Standard	Minimum load: 100 mA/24 V		
p.f.: 0.3	V AC	240	8	
AC12/DC12		380	8	
		480	8	
		690	6	
	V DC	24/48	2.5	
		125	0.8	
		250	0.3	

A point-to-point solution for remote operation of EasyPact MVS



Note: An opening order always takes priority over a closing order.
If opening and closing orders occur simultaneously, the mechanism discharges without any movement of the main contacts. The circuit breaker remains in the open position (OFF).
In the event of maintained opening and closing orders, the standard mechanism provides an anti-pumping function by blocking the main contacts in open position.
Anti-pumping function. After fault tripping or intentional opening using the manual or electrical controls, the closing order must first be discontinued, then reactivated to close the circuit breaker.

The remote ON / OFF function is used to remotely open and close the circuit breaker. It is made up of:

- An electric motor MCH equipped with a “springs charged” limit switch contact CH
- Two voltage releases:
 - A closing release XF
 - An opening release MX

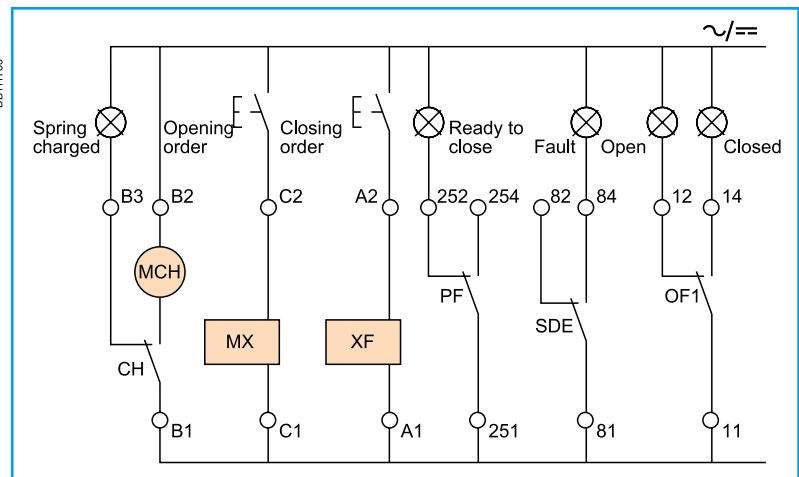
Optionally, other function may be added:

- A “ready to close” contact PF

A remote-operation function is generally combined with:

- Device ON / OFF indication OF
- “Fault-trip” indication SDE

Wiring diagram of a point-to-point remote ON / OFF function



Remote operation

Remote ON/OFF

PB100809-32



Electric motor MCH for EasyPact MVS.

Electric motor MCH

The electric motor automatically charges and recharges the spring mechanism when the circuit breaker is closed. Instantaneous reclosing of the breaker is thus possible following opening. The spring-mechanism charging handle is used only as a backup if auxiliary power is absent.

The electric motor MCH is equipped as standard with a limit switch contact CH that signals the "charged" position of the mechanism (springs charged).

Characteristics

Power supply	V AC 50/60 Hz	100/130 - 200/240 - 380/415
	V DC	24/30 - 48/60 - 100/125 - 200/250
Operating threshold	0.85 to 1.1 Un	
Consumption (VA or W)	180	
Motor overcurrent	2 to 3 In for 0.1 s	
Charging time	Maximum 4 s	
Operating frequency	Maximum 3 cycles per minute	
CH contact	10 A at 240 V	

Voltage releases XF and MX

Their supply can be maintained or automatically disconnected.

Closing release XF

The XF release remotely closes the circuit breaker if the spring mechanism is charged.

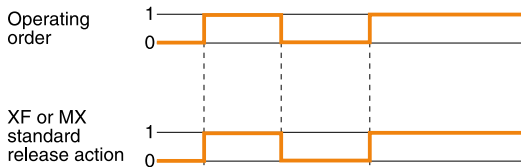
Opening release MX

The MX release instantaneously opens the circuit breaker when energised. It locks the circuit breaker in OFF position if the order is maintained.

Characteristics

	XF	MX
Power supply	V AC 50/60 Hz	24 - 48 - 100/130 - 200/250 - 380/480
	V DC	12 - 24/30 - 48/60 - 100/130 - 200/250
Operating threshold	0.85 to 1.1 Un	0.7 to 1.1 Un
Consumption (VA or W)	Hold: 4.5	Hold: 4.5
	Pick-up: 200 (200 ms)	Pick-up: 200 (200 ms)
Circuit-breaker response time at Un	70 ms ±10	50 ms ±10

DB117037



PB100809-16



MX voltage releases.



XF voltage release.

"Ready to close" contact PF

The "ready to close" position of the circuit breaker is indicated by a mechanical indicator and a PF changeover contact. This signal indicates that all the following are valid:

- The circuit breaker is in the OFF position
- The spring mechanism is charged
- A maintained opening order is not present:
 - MX energised
 - Fault trip
 - Remote tripping MN
 - Device not completely racked in
 - Device locked in OFF position
 - Device interlocked with a second device

Characteristics

Maximum number	1		
Breaking capacity (A)	Standard	Minimum load: 100 mA/24 V	
	p.f.: 0.3	V AC	
AC12/DC12		240/380	5
		480	5
		690	3
		V DC	24/48
		125	0.3
		250	0.15

PB100818-16



"Ready to close" contacts PF.

DB100809-16



MN voltage release.

Instantaneous voltage releases MN

The MN release instantaneously opens the circuit breaker when its supply voltage drops to a value between 35 % and 70 % of its rated voltage. If there is no supply on the release, it is impossible to close the circuit breaker, either manually or electrically. Any attempt to close the circuit breaker has no effect on the main contacts. Circuit breaker closing is enabled again when the supply voltage of the release returns to 85% of its rated value.

Characteristics

Power supply	V AC 50/60 Hz	24 - 48 - 100/130 - 200/250 - 380/480	
	V DC	24/30 - 48/60 - 100/130 - 200/250	
Operating threshold	Opening	0.35 to 0.7 Un	
	Closing	0.85 Un	
Consumption (VA or W)		Pick-up: 200 (200 ms)	Hold: 4.5
MN consumption with delay unit (VA or W)		Pick-up: 200 (200 ms)	Hold: 4.5
Circuit-breaker response time at Un		90 ms ±5	

MN delay units

To eliminate circuit-breaker nuisance tripping during short voltage dips, operation of the MN release can be delayed. This function is achieved by adding an external delay unit in the MN voltage-release circuit. Two versions are available, adjustable and non-adjustable.

Characteristics

Power supply	Non-adjustable	100/130 - 200/250	
	Adjustable	48/60 - 100/130 - 200/250 - 380/480	
Operating threshold	Opening	0.35 to 0.7 Un	
	Closing	0.85 Un	
Delay unit consumption		Pick-up: 200 (200 ms)	Hold: 4.5
Circuit-breaker response time at Un	Non-adjustable	0.25 s	
	Adjustable	0.5 s - 0.9 s - 1.5 s - 3 s	

058422N



MN delay unit.

Source-changeover systems

Mechanical interlocking

CPB100009



Interlocking of two EasyPact circuit breakers using cable.

Interlocking of two EasyPact MVS or up to three EasyPact MVS devices using cables

For cable interlocking, the circuit breakers may be mounted one above the other or side-by-side. The interlocked devices may be fixed or draw-out, three-pole or four-pole, and have different ratings.

Interlocking between two devices

This function requires:

- An adaptation fixture on the right side of each device
- A set of cables with no-slip adjustments
- The use of a mechanical operation counter CDM is compulsory

The maximum distance between the fixing planes (vertical or horizontal) is 2000 mm.

Interlocking between three devices

This function requires:

- A specific adaptation fixture for each type of interlocking, installed on the right side of each device
- Two or three sets of cables with no-slip adjustments
- The use of a mechanical operation counter CDM is compulsory

The maximum distance between the fixing planes (vertical or horizontal) is 1000 mm.

Installation

The adaptation fixtures, sets of cables and circuit breakers or switch-disconnectors are supplied separately, ready for assembly by the customer.

Installation conditions for cable interlocking systems:

- Cable length: 2.5 m
- Radius of curvature: 100 mm
- Maximum number of curves: 3

Possible combinations of "Normal" and "Replacement" source circuit breakers

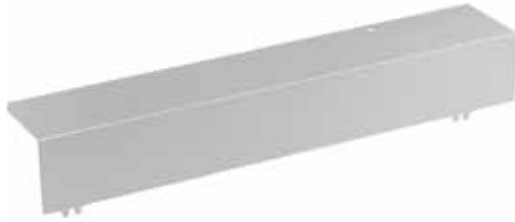
"Normal" N"	"Replacement" R
MVS08 to MVS40	MVS08 to MVS40
Ratings 800...4000A	■

Possible combinations of three device

MVS08 to MVS40	MVS08 to MVS40
Ratings 800...4000A	■

All combinations of two or three EasyPact MVS devices are possible, whatever the rating of the devices.

PB104740



Auxiliary terminal shield CB

Optional equipment mounted on the chassis, the shield prevents access to the terminal block of the electrical auxiliaries.

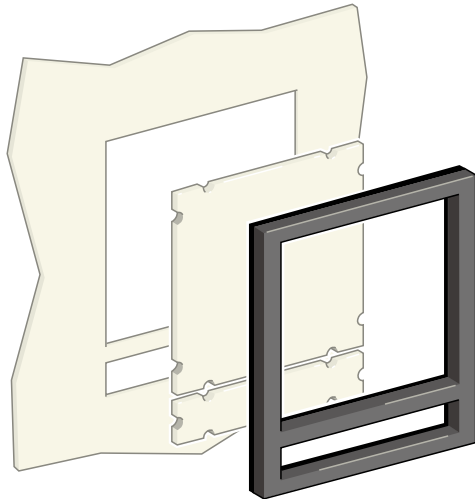
PB10482432



Operation counter CDM

The operation counter sums the number of operating cycles and is visible on the front panel. It is compatible with manual and electrical control functions. This option is compulsory for all the source-changeover systems.

DB101173



Escutcheon CDP

Standard equipment mounted on the door of the cubicle, the escutcheon increases the degree of protection to IP 40 (circuit breaker installed free standing: IP30) . It is available in fixed and draw-out versions.

Blanking plate for escutcheon OP

Used with the escutcheon, this option closes off the door cut-out of a cubicle not yet equipped with a device. It may be used with the escutcheon for both fixed and draw-out devices.

Escutcheon CDP with blanking plate.

PB100776-42



Transparent cover for escutcheon CP

Optional equipment mounted on the escutcheon, the cover is hinged and secured by a screw. It increases the degree of protection to IP54, IK10. It adapts to draw-out devices.

Transparent cover CP for escutcheon.

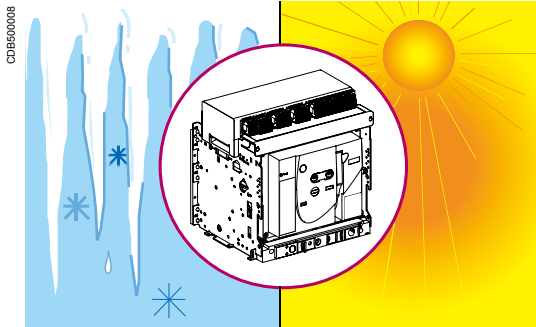


Installation recommendations



<i>Functions and characteristics</i>	A-1
Operating conditions	B-2
Installation in switchboard	B-3
Door interlock catch	B-5
Control wiring	B-6
Power connection	B-7
Recommended busbars drilling	B-9
Busbar sizing	B-10
Temperature derating	
Power dissipation	B-12
<i>Dimensions and connection</i>	C-1
<i>Electrical diagrams</i>	D-1
<i>Additional characteristics</i>	E-1
<i>Catalogue numbers and order form</i>	F-1

EasyPact MVS circuit breakers have been tested for operation in industrial atmospheres. It is recommended that the equipment be cooled or heated to the proper operating temperature and kept free of excessive vibration and dust.



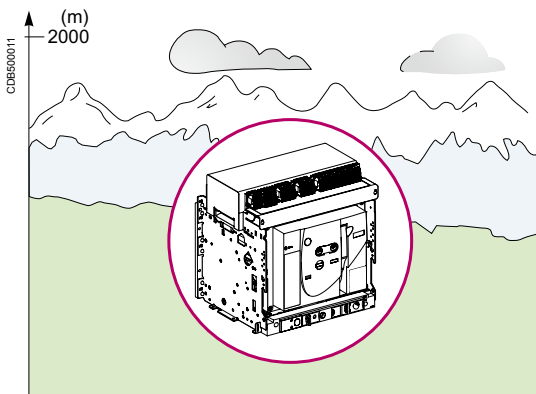
Ambient temperature

EasyPact MVS devices can operate under the following temperature conditions:

- The electrical and mechanical characteristics are stipulated for an ambient temperature of -5°C to +60°C
- Circuit-breaker closing is guaranteed down to -35°C

Storage conditions are as follows:

- -40 to +85°C for a EasyPact MVS device without its control unit
- -25°C to +85°C for the control unit

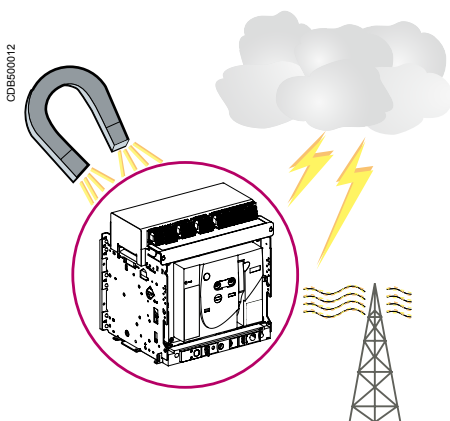


Altitude

At altitudes higher than 2000 metres, the modifications in the ambient air (electrical resistance, cooling capacity) lower the following characteristics as follows:

Altitude (m)	2000	3000
Impulse withstand voltage uimp (kV)	12	11
Rated insulation voltage (Ui)	1000	900
Maximum rated operational voltage 50/60 Hz Ue (V)	690	590
Rated current 40°C	1 x In	0.99 x In

Intermediate values may be obtained by interpolation.



Electromagnetic disturbances

EasyPact MVS devices are protected against:

- Overvoltages caused by devices that generate electromagnetic disturbances
- Overvoltages caused by atmospheric disturbances or by a distribution-system outage (e.g. failure of a lighting system)
- Devices emitting radio waves (radios, walkie-talkies, radar, etc.)
- Electrostatic discharges produced by users

EasyPact MVS devices have successfully passed the electromagnetic-compatibility tests (EMC) defined by the following international standards:

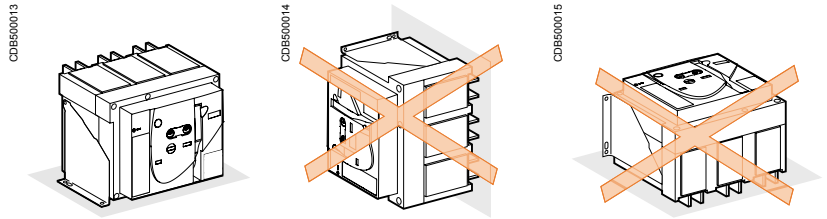
- IEC 60947-2, appendix F

The above tests guarantee that:

- No nuisance tripping occurs
- Tripping times are respected

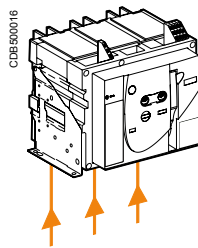
Installation in switchboard

Possible positions



Power supply

EasyPact MVS devices can be supplied either from the top or from the bottom without reduction in performance, in order to facilitate connection when installed in a switchboard.

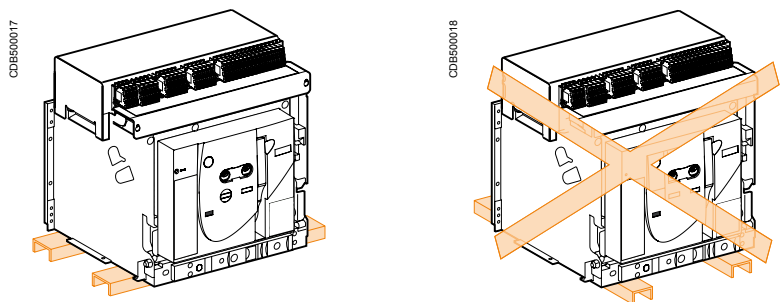


Mounting the circuit-breaker

It is important to distribute the weight of the device uniformly over a rigid mounting surface such as rails or a base plate.

This mounting plane should be perfectly flat (tolerance on support flatness: 2 mm). This eliminates any risk of deformation which could interfere with correct operation of the circuit breaker.

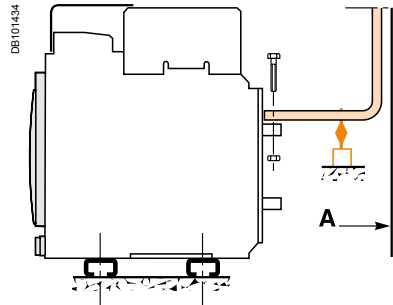
EasyPact devices can also be mounted on a vertical plane using the special brackets.



Mounting on rails.

Partitions

Sufficient openings must be provided in partitions to ensure good air circulation around the circuit breaker; Any partition between upstream and downstream connections of the device must be made of nonmagnetic material.
For high currents, of 2500 A and upwards, the metal supports or barriers in the immediate vicinity of a conductor must be made of non-magnetic material **A**. Metal barriers through which a conductor passes must not form a magnetic loop.

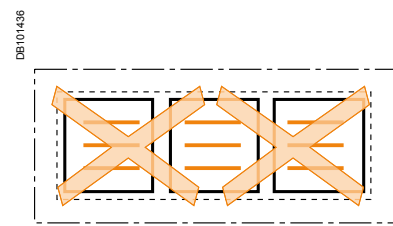
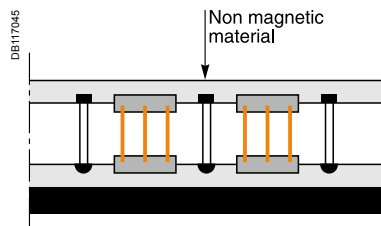


A : Non magnetic material.



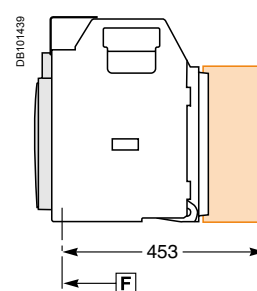
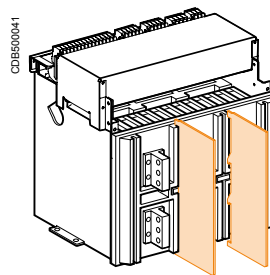
Busbars

The mechanical connection must exclude the possibility of formation of a magnetic loop around a conductor.



Interphase barrier

If the insulation distance between phases is not sufficient (≤ 14 mm), it is advised to install phase barriers (taking into account the safety clearances).



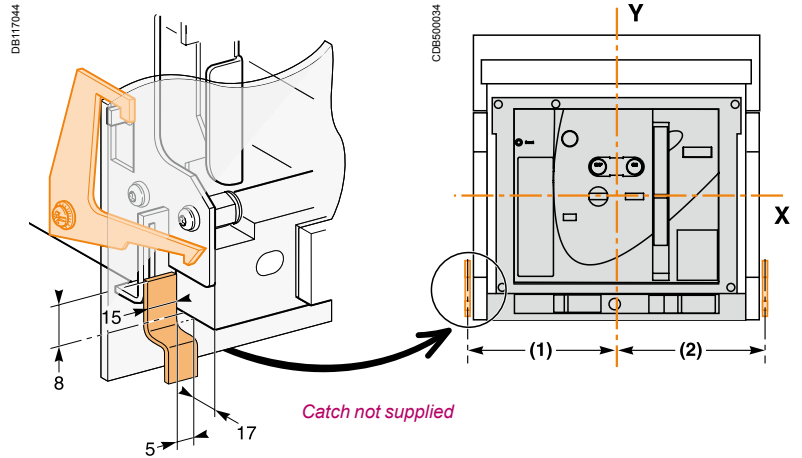
Door interlock catch

Door interlock VPEC

Mounted on the right or left-hand side of the chassis, this device inhibits opening of the cubicle door when the circuit breaker is in “connected” or “test” position. If the breaker is put in the “connected” position with the door open, the door may be closed without having to disconnect the circuit breaker.

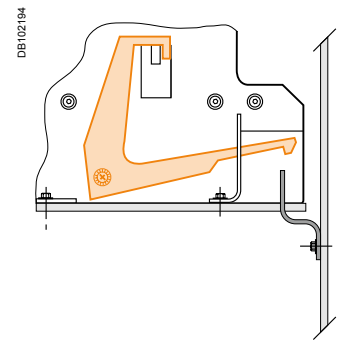
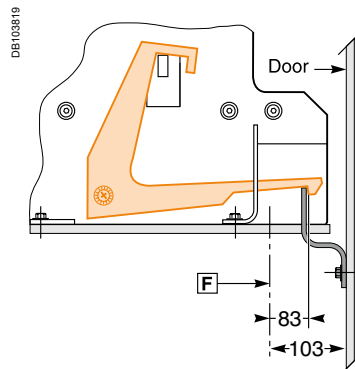
Dimensions (mm)

Type	(1)	(2)
MVS08-40 (3P)	215	215
MVS08-40 (4P)	330	215



**Breaker in “connected”
or “test” position**
Door cannot be opened

**Breaker in “disconnected”
position**
Door can be opened



Note: Dimensions are in mm.

Note: The door interlock can either be mounted on the right side or the left side of the breaker.

F: Datum.

Wiring of voltage releases

During pick-up, the power consumed is approximately 150 to 200 VA. For low control voltages (12, 24, 48 V), maximum cable lengths are imposed by the voltage and the cross-sectional area of cables.

Recommended maximum cable lengths (meter).

		12 V		24 V		48 V	
		2,5 mm ²	1,5 mm ²	2,5 mm ²	1,5 mm ²	2,5 mm ²	1,5 mm ²
MN	U source 100 %	–	–	58	35	280	165
	U source 85 %	–	–	16	10	75	45
MX-XF	U source 100 %	21	12	115	70	550	330
	U source 85 %	10	6	75	44	350	210

Note: The indicated length is that of each of the two wires.

24 V DC power-supply module

External 24 V DC power-supply module (F1-, F2+)

- Do not connect the positive terminal (F2+) to earth
- The negative terminal (F1-) can be connected to earth
- A number of trip units can be connected to the same 24 V DC power supply (the consumption of a trip unit is approximately 100 mA)
- Do not connect any devices other than a trip unit
- The maximum length for each conductor is ten metres. For greater distances, it is advised to twist the supply wires together
- The 24 V DC supply wires must cross the power cables perpendicularly. If this is difficult, it is advised to twist the supply wires together
- The technical characteristics of the external 24 V DC power-supply module are indicated on [page A-14](#).

Note: Wiring of ZSI: it is recommended to use twisted shielded cable. The shield must be connected to earth at both ends.

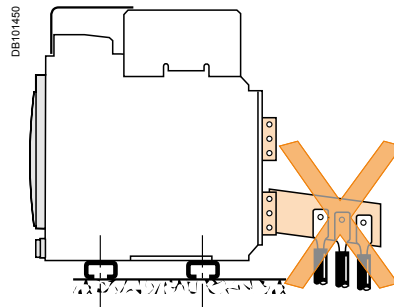
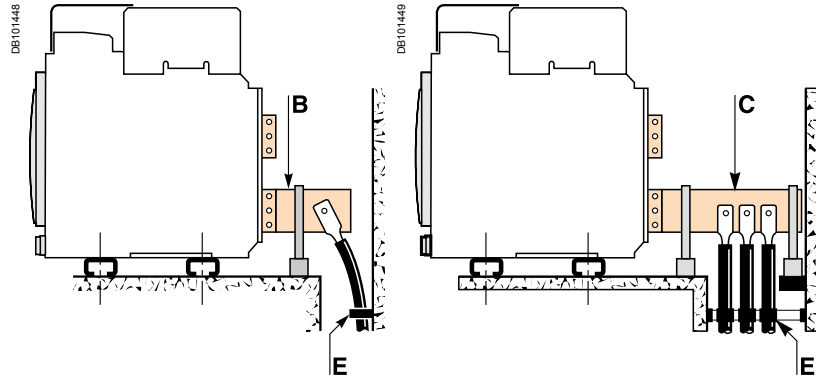
Power connection

Cables connections

If cables are used for the power connections, make sure that they do not apply excessive mechanical forces to the circuit breaker terminals.

For this, make the connections as follows:

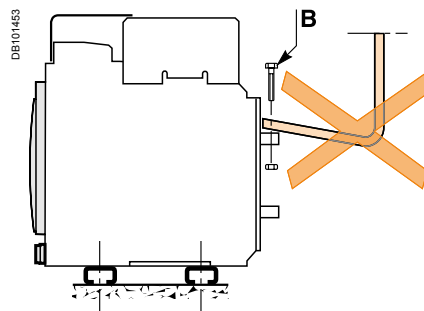
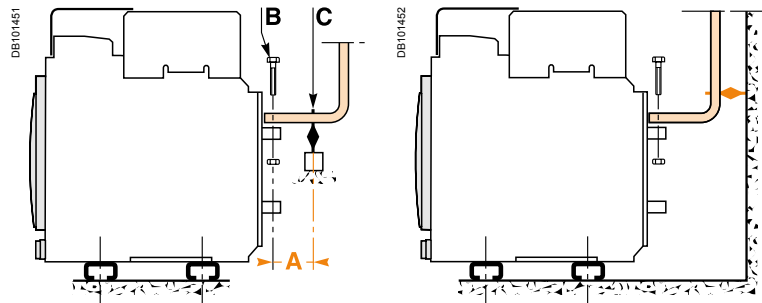
- Extend the circuit breaker terminals using short bars designed and installed according to the recommendations for bar-type power connections:
- For a single cable, use solution **B** opposite
- For multiple cables, use solution **C** opposite
- In all cases, follow the general rules for connections to busbars:
- Position the cable lugs before inserting the bolts
- The cables should firmly secured to the framework **E**



Busbars connections

The busbars should be suitably adjusted to ensure that the connection points are positioned on the terminals before the bolts are inserted **B**.

The connections are held by the support which is solidly fixed to the framework of the switchboard, such that the circuit breaker terminals do not have to support its weight **C**. (This support should be placed close to the terminals).

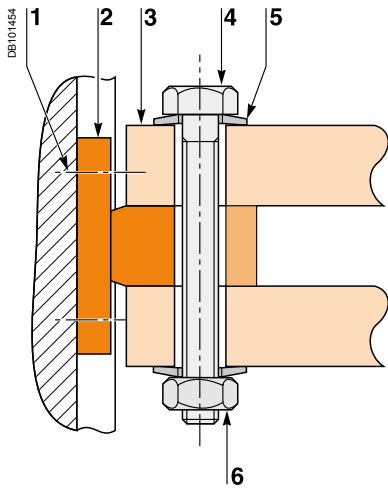


Electrodynamic stresses

The first busbar support or spacer shall be situated within a maximum distance from the connection point of the breaker (see table below). This distance must be respected so that the connection can withstand the electrodynamic stresses between phases in the event of a short circuit.

Maximum distance A between busbar to circuit breaker connection and the first busbar support or spacer with respect to the value of the prospective short-circuit current.

Isc (kA)	30	50	65
Distance A (mm)	350	300	250



- 1 Terminal screw factory-tightened to 16 Nm.
- 2 Breaker terminal.
- 3 Busbar.
- 4 Bolt.
- 5 Washer.
- 6 Nut.

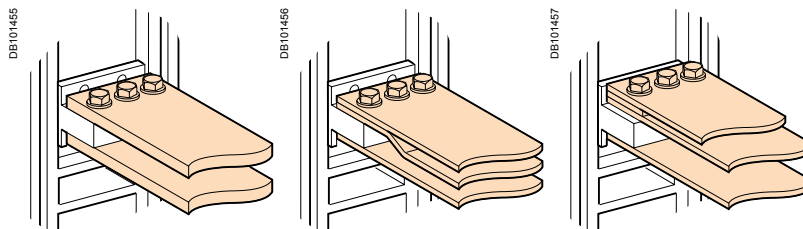
Clamping

Correct clamping of busbars depends amongst other things, on the tightening torques used for the nuts and bolts. Over-tightening may have the same consequences as under-tightening.

For connecting busbars (Cu ETP-NFA51-100) to the circuit breaker, the tightening torques to be used are shown in the table below.

These values are for use with copper busbars and steel nuts and bolts, class 8.8. The same torques can be used with AGS-T52 quality aluminium bars (French standard NFA 02-104 or American National Standard H-35-1).

Examples

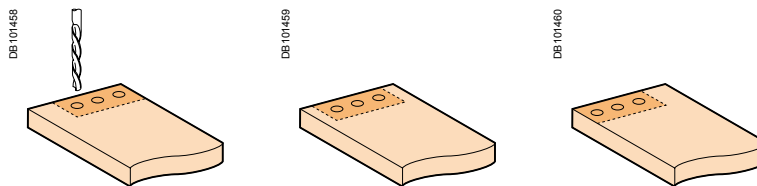


Tightening torques

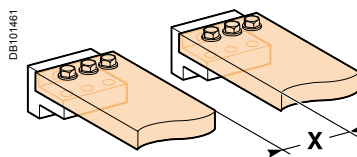
Ø (mm) Nominal	Ø (mm) Drilling	Tightening torques (Nm) with grower or flat washers	Tightening torques (Nm) with contact or corrugated washers
10	11	37.5	50

Busbar drilling

Examples



Isolation distance

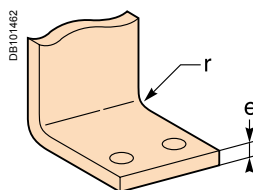


Dimensions (mm)

Ui	X min
600 V	8 mm
1000 V	14 mm

Busbar bending

When bending busbars maintain the radius indicated below (a smaller radius would cause cracks).



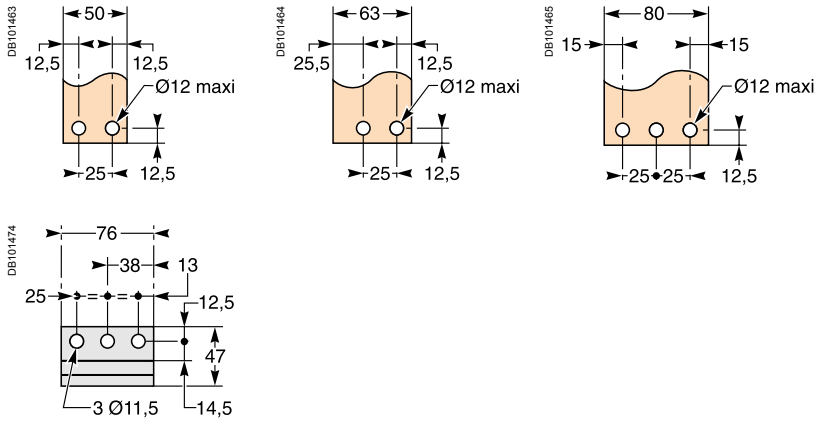
Dimensions (mm)

e	Radius of curvature r	
	Min	Recommended
5	5	7.5
10	15	18 to 20

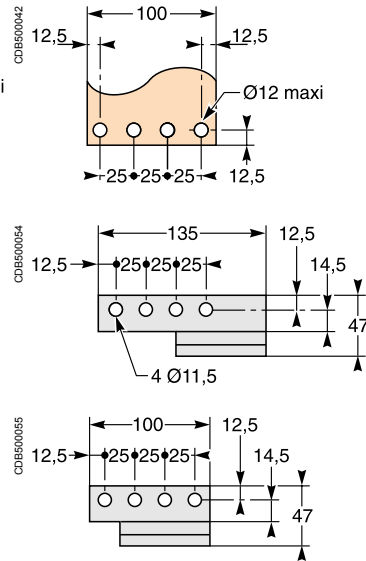
Recommended busbars drilling

EasyPact MVS08 to MVS40

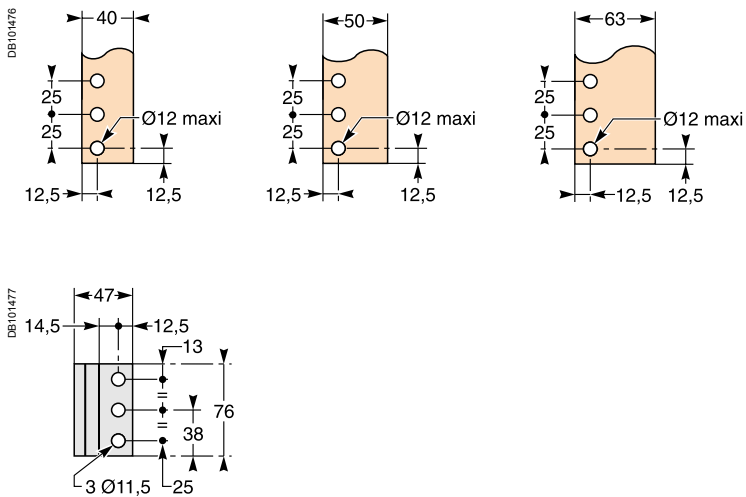
Horizontal rear connection MVS08 to MVS32



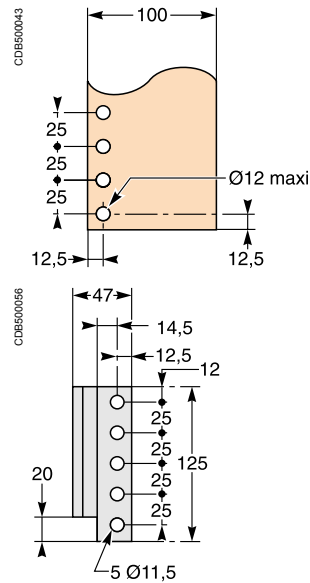
MVS40



Vertical rear connection MVS08 to MVS32



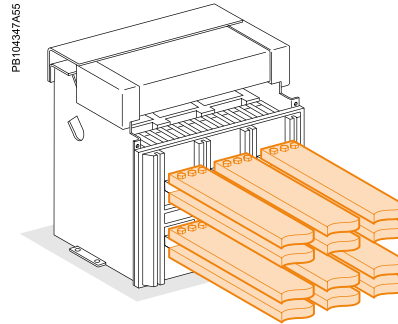
MVS40



Basis of tables:

- Maximum permissible busbars temperature: 100 °C
- T_i : temperature around the circuit breaker and its connection
- Busbar material is unpainted Copper / Aluminium

Rear horizontal connection



Unpainted Copper (Rear horizontal connection)

EasyPact	Maximum service current	$T_i : 40^{\circ}\text{C}$		$T_i : 50^{\circ}\text{C}$	
		No. of 5 mm thick bars	No. of 10 mm thick bars	No. of 5 mm thick bars	No. of 10 mm thick bars
MVS08	800	2b.50 x 5	1b.50 x 10	2b.50 x 5	1b.50 x 10
MVS10	1000	3b.50 x 5	1b.63 x 10	3b.50 x 5	2b.50 x 10
MVS12	1250	3b.50 x 5	2b.40 x 10	3b.50 x 5	2b.50 x 10
		2b.80 x 5	2b.40 x 10	2b.80 x 5	
MVS16	1600	3b.80 x 5	2b.63 x 10	3b.80 x 5	2b.63 x 10
MVS20	2000	3b.100 x 5	2b.80 x 10	3b.100 x 5	2b.80 x 10
MVS25	2500	4b.100 x 5	2b.100 x 10	4b.100 x 5	2b.100 x 10
MVS32	3200	6b.100 x 5	3b.100 x 10	8b.100 x 5	3b.100 x 10
MVS40	4000		5b.100 x 10		5b.100 x 10

Unpainted Aluminium

EasyPact	Maximum service current	Busbar orientation	$T_i : 50^{\circ}\text{C}$ No. of 10 mm thick bars
MVS08	800	Horizontal	2b.40 x 10
MVS10	1000	Horizontal	2b.50 x 10
MVS12	1250	Horizontal	2b.80 x 10
MVS16	1600	Horizontal	3b.80 x 10

Example

Conditions:

- Drawout version
- Horizontal busbars
- T_i : 50°C
- Service current: 1600A

Solution:

For $T_i = 50^{\circ}\text{C}$, use an MVS16 which can be connected with 2 bars-63x10mm copper (or) 3 bars-80x10mm Aluminium.

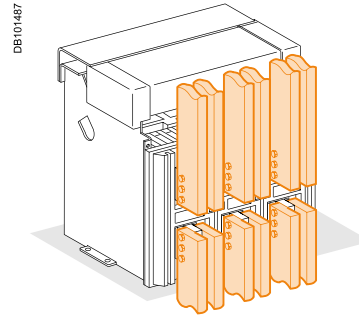
Note: The values indicated in these tables have been extrapolated from test data and theoretical calculations. These tables are only intended as a guide and cannot replace industrial experience or a temperature rise test.

Busbar sizing

Basis of tables:

- Maximum permissible busbars temperature: 100 °C
- T_i : temperature around the circuit breaker and its connection
- Busbar material is unpainted Copper / Aluminium

Rear vertical connection



Unpainted Copper (Vertical connection)

EasyPact	Maximum service current	T_i : 40°C		T_i : 50°C	
		No. of 5 mm thick bars	No. of 10 mm thick bars	No. of 5 mm thick bars	No. of 10 mm thick bars
MVS08	800	2b.50 x 5	1b.50 x 10	2b.50 x 5	1b.50 x 10
MVS10	1000	2b.50 x 5	1b.50 x 10	2b.50 x 5	1b.50 x 10
MVS12	1250	2b.63 x 5	1b.63 x 10	3b.50 x 5	2b.40 x 10
MVS16	1600	3b.63 x 5	2b.50 x 10	3b.63 x 5	2b.50 x 10
MVS20	2000	3b.100 x 5	2b.63 x 10	3b.100 x 5	2b.63 x 10
MVS25	2500	4b.100 x 5	2b.80 x 10	4b.100 x 5	2b.80 x 10
MVS32	3200	6b.100 x 5	3b.100 x 10	6b.100 x 5	3b.100 x 10
MVS40	4000		4b.100 x 10		4b.100 x 10

Unpainted Aluminium

EasyPact	Maximum service current	Busbar orientation	T_i : 50°C No. of 10 mm thick bars
MVS08	800	Vertical	2b.40 x 10
MVS10	1000	Vertical	2b.50 x 10
MVS12	1250	Vertical	2b.80 x 10
MVS16	1600	Vertical	3b.80 x 10
MVS20	2000	Vertical	4b.80 x 10
MVS25	2500	Vertical	4b.100 x 10
MVS32	3200	Vertical	4b.150 x 10
MVS40	4000	Vertical	5b.150 x 10

Example

Conditions:

- Drawout version
- Vertical connections
- T_i : 40 °C
- Service current: 1100 A.

Solution:

For $T_i = 40$ °C use an MVS12 which can be connected with two 63 x 5 mm bars or with one 63 x 10 mm bar.

Note: The values indicated in these tables have been extrapolated from test data and theoretical calculations. These tables are only intended as a guide and cannot replace industrial experience or a temperature rise test.

Temperature derating Power dissipation

Temperature derating

The table below indicates the maximum current rating, for each connection type, as a function of T_i around the circuit breaker and the busbars.

For T_i greater than 60°C, consult us.

T_i : temperature around the circuit breaker and its connection.

Version	Draw-out					Fixed														
	Rear horizontal					Rear vertical					Rear horizontal					Rear vertical				
Temp. T_i	40 °C	45 °C	50 °C	55 °C	60 °C	40 °C	45 °C	50 °C	55 °C	60 °C	40 °C	45 °C	50 °C	55 °C	60 °C	40 °C	45 °C	50 °C	55 °C	60 °C
MVS (50kA)																				
MVS08N	800					800					800					800				
MVS10N	1000					1000					1000					1000				
MVS12N	1250					1250					1250					1250				
MVS16N	1600					1600					1600					1600				
MVS20N	2000			1900 1800		2000			1900		2000			1920		2000				
MVS25N	2500			2450		2500					2500					2500				
MVS32N	3200		3100 3000		2900	3200					3200					3200				
MVS40N	4000		3900 3750		3650	4000		3900			4000		3900 3800		4000					
MVS (65kA)																				
MVS08H	800					800					800					800				
MVS10H	1000					1000					1000					1000				
MVS12H	1250					1250					1250					1250				
MVS16H	1600					1600					1600					1600				
MVS20H	2000			1900 1800		2000			1900		2000			1920		2000				
MVS25H	2500		2450 2400		2300 2200	2500		2450 2400			2500					2500				
MVS32H	3200		3100 3000		2900	3200					3200					3200				
MVS40H	4000		3900 3750		3650	4000		3900			4000		3900 3800		4000					

Power dissipation

Total power dissipation is the value measured at I_N , 50/60 Hz, for a 3 pole or 4 pole breaker (values above the power $P = 3RI^2$). The resistance between input / output is the value measured per pole (cold state).

Type	Draw-out		Fixed	
	Power loss (W)	Input/output resistance (μohm)	Power loss (W)	Input/output resistance (μohm)
50kA				
MVS08N	120	36	60	19
MVS10N	180	36	100	19
MVS12N	280	36	140	19
MVS16N	460	36	200	19
MVS20N	470	30	250	13
MVS25N	600	19	260	13
MVS32N	670	13	420	8
MVS40N	900	11	650	8
65kA				
MVS08H	100	30	42	13
MVS10H	150	30	70	13
MVS12H	230	30	100	13
MVS16H	390	30	170	13
MVS20H	470	30	250	13
MVS25H	600	19	260	8
MVS32H	670	13	420	8
MVS40H	900	11	650	8

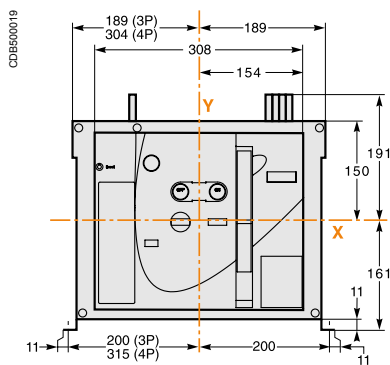
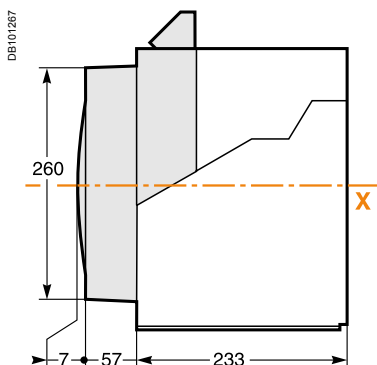


Dimensions and connection

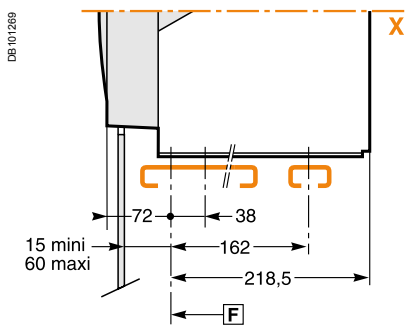


<i>Functions and characteristics</i>	A-1
<i>Installation recommendations</i>	B-1
MVS08 to MVS32 circuit breakers	C-2
Fixed 3/4-poles device	C-2
Draw-out 3/4-poles device	C-4
MVS40 circuit breakers	C-6
Fixed 3/4-poles device	C-6
Draw-out 3/4-poles device	C-8
Accessories	C-10
External modules	C-11
<i>Electrical diagrams</i>	D-1
<i>Additional characteristics</i>	E-1
<i>Catalogue numbers and order form</i>	F-1

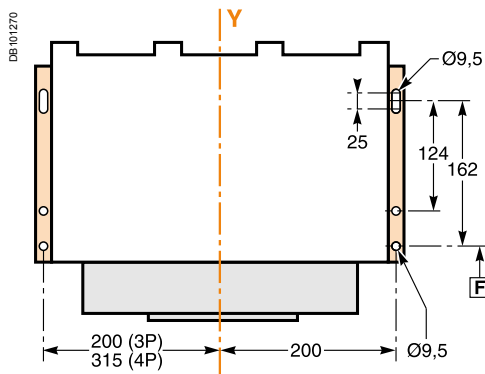
Dimensions



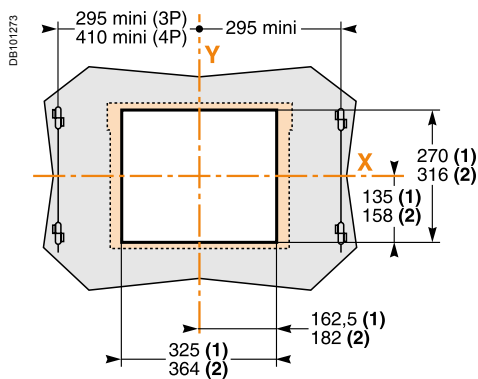
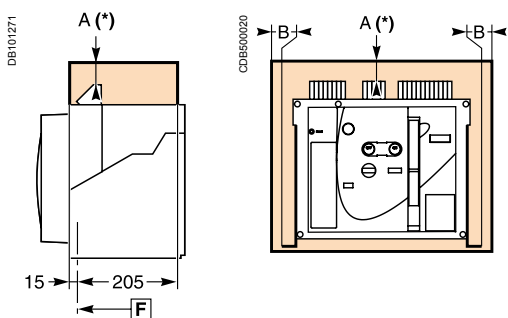
Mounting on base plate or rails



Mounting detail



Safety clearances



	Insulated parts	Metal parts	Energised parts
A	0	0	100
B	0	0	60

F : Datum.

(1) Without escutcheon.

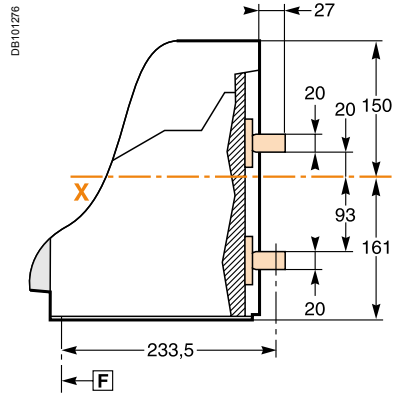
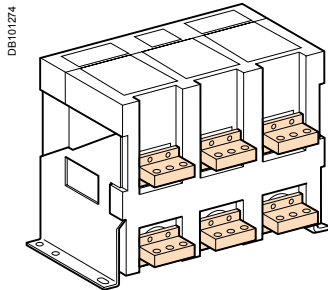
(2) With escutcheon.

Note: X and Y are the symmetry planes for a 3-pole device.

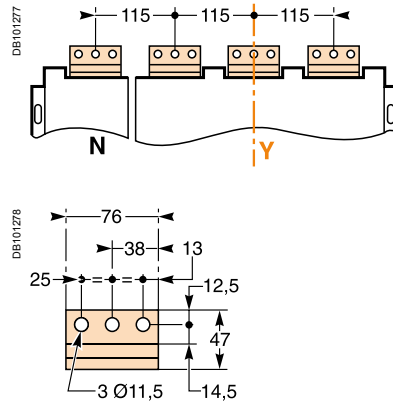
A(*) An overhead clearance of 50 mm is required to remove the arc chutes.
An overhead clearance of 20 mm is required to remove the terminal block.

Connections

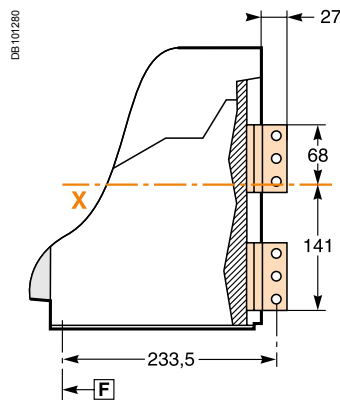
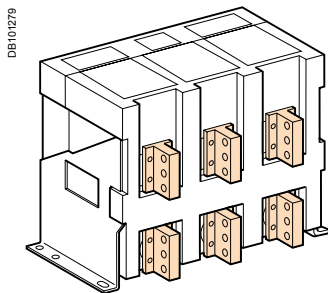
Horizontal rear connection



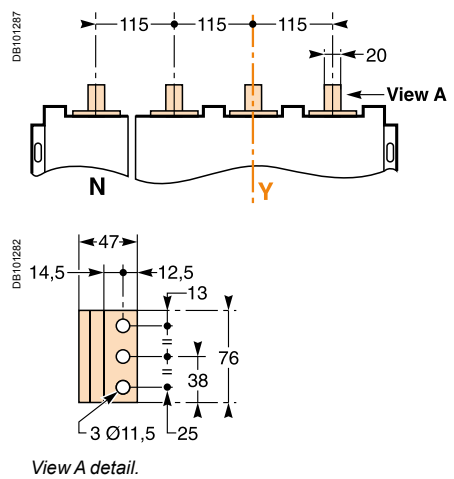
Detail



Vertical rear connection

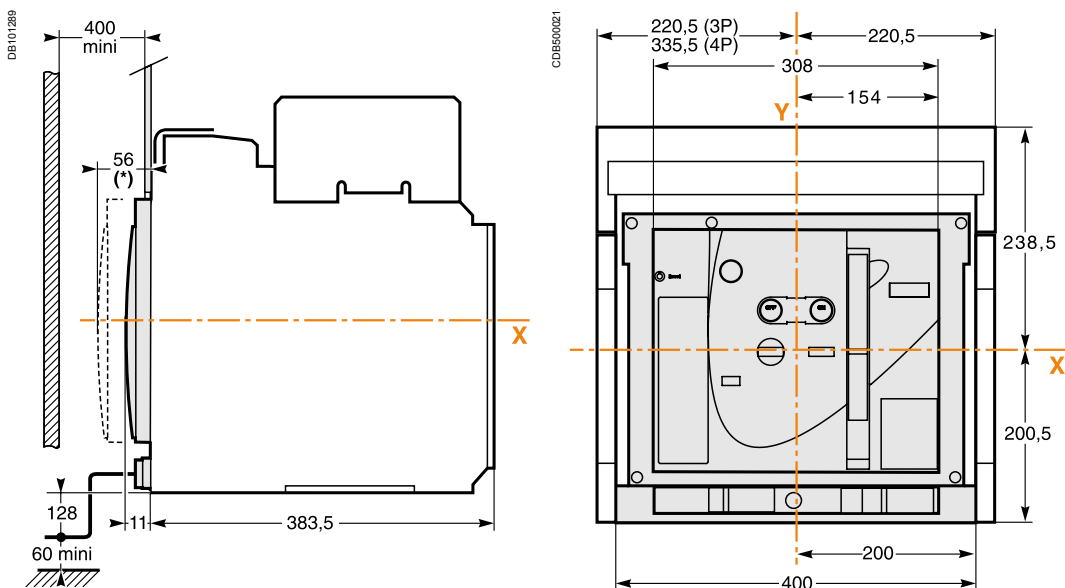


Detail



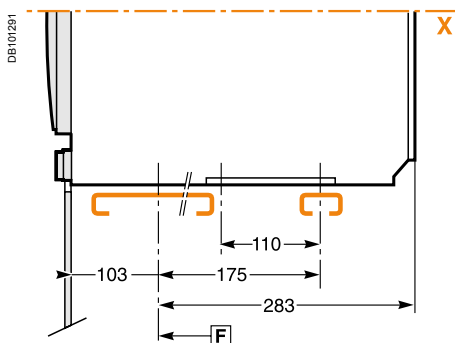
Note: Recommended connection screws: **M10** class 8.8.
Tightening torque: **50 Nm** with contact washer.

Dimensions

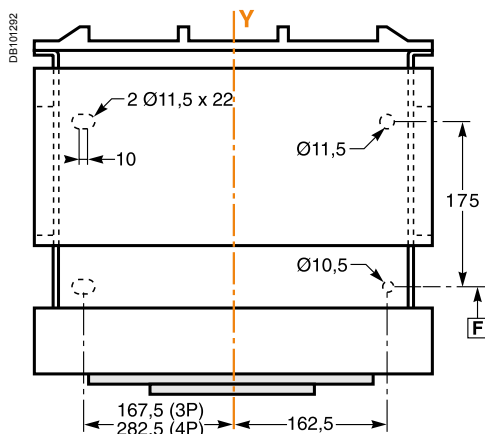


(*) Disconnected position.

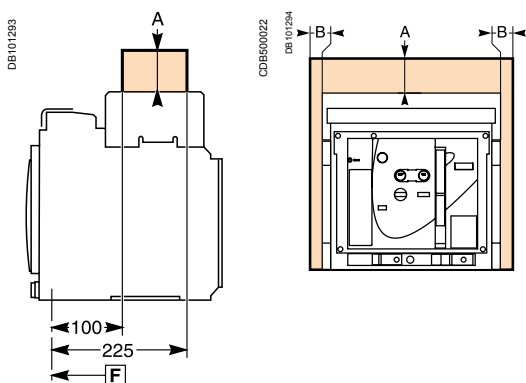
Mounting on base plate or rails



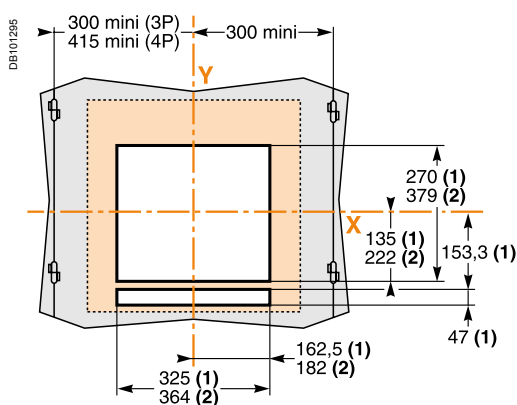
Mounting detail



Safety clearances



Door cutout



	Insulated parts	Metal parts	Energised parts
A	0	0	60
B	0	0	60

F : Datum.

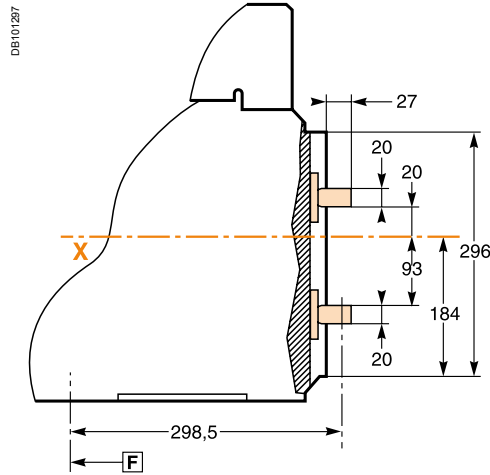
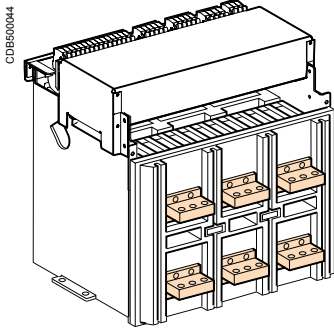
(1) Without escutcheon.

(2) With escutcheon.

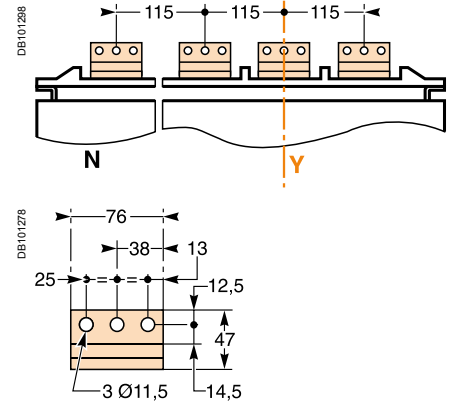
Note: X and Y are the symmetry planes for a 3-pole device.

Connections

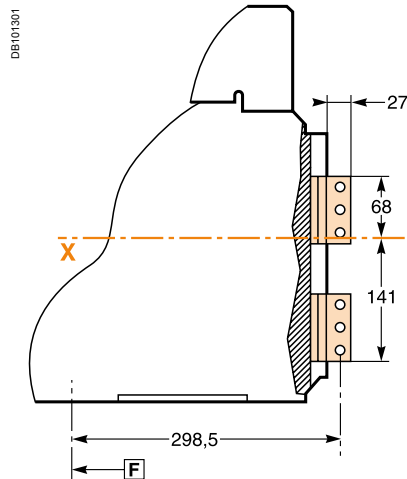
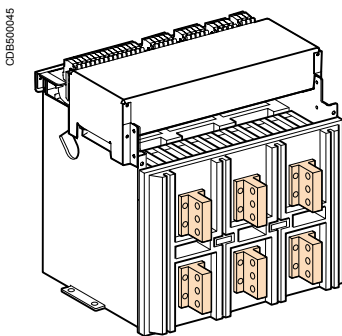
Horizontal rear connection



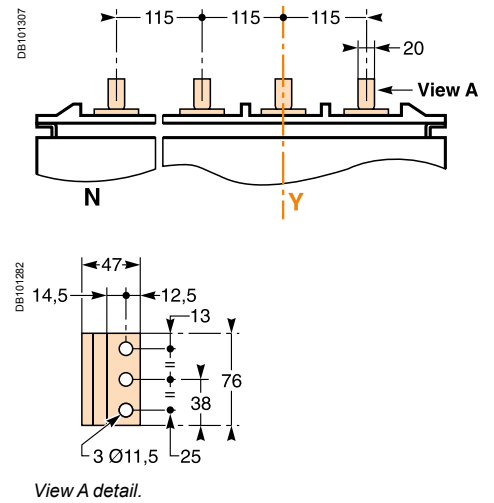
Detail



Vertical rear connection

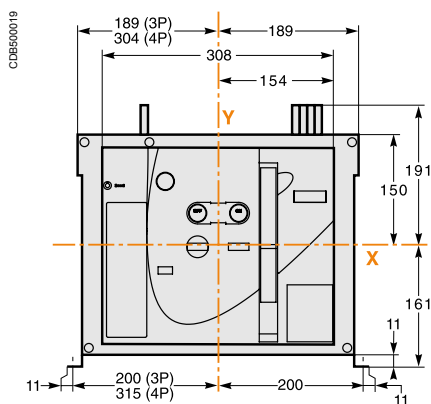
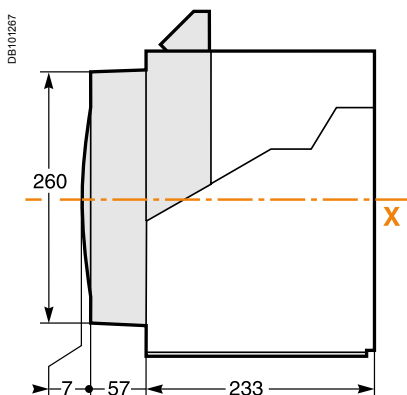


Detail

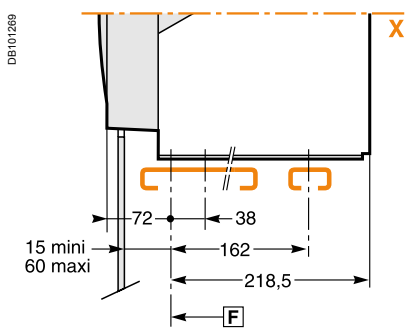


Note: Recommended connection screws: **M10** class 8.8.
Tightening torque: **50 Nm** with contact washer.

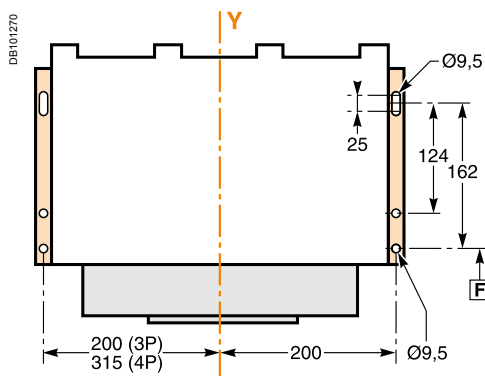
Dimensions



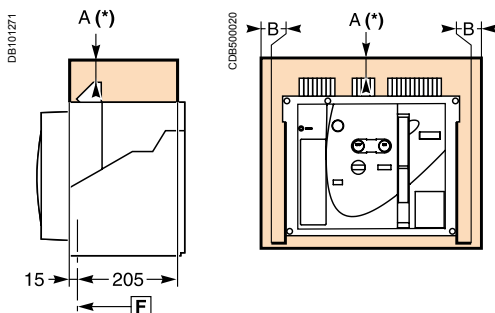
Mounting on base plate or rails



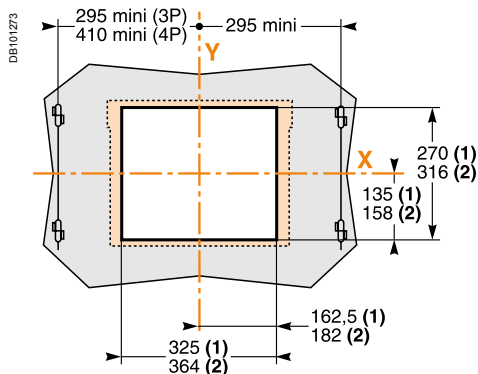
Mounting detail



Safety clearances



Door cutout



	Insulated parts	Metal parts	Energised parts
A	0	0	100
B	0	0	60

F: Datum.

(1) Without escutcheon.

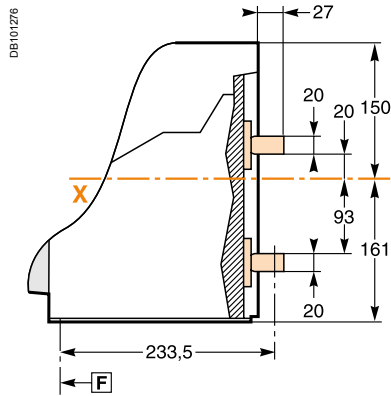
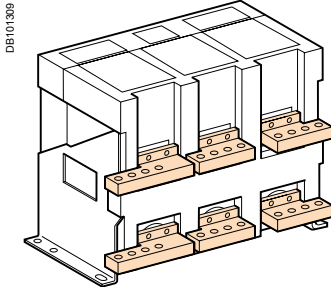
(2) With escutcheon.

Note: X and Y are the symmetry planes for a 3-pole device.

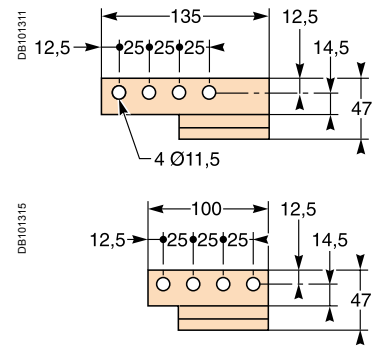
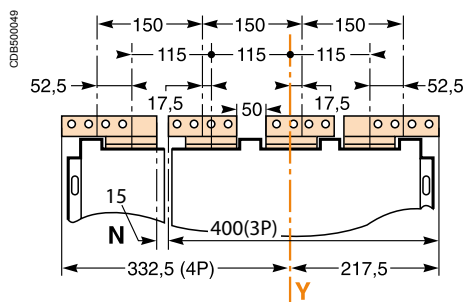
A(*) An overhead clearance of 110 mm is required to remove the arc chutes.
An overhead clearance of 20 mm is required to remove the terminal block.

Connections

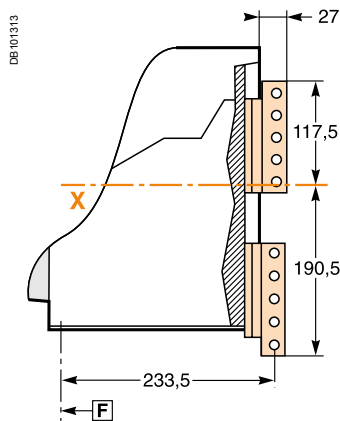
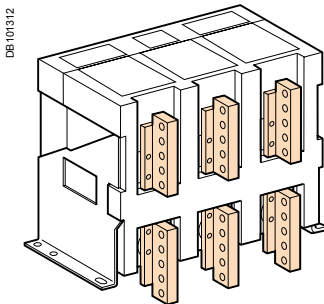
Horizontal rear connection



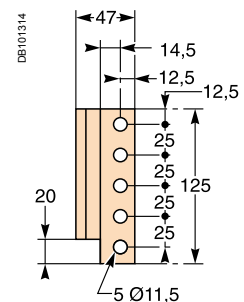
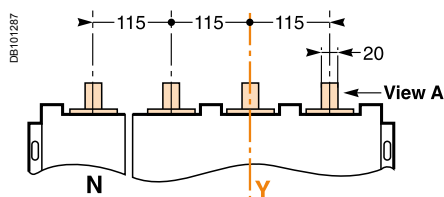
Detail



Vertical rear connection

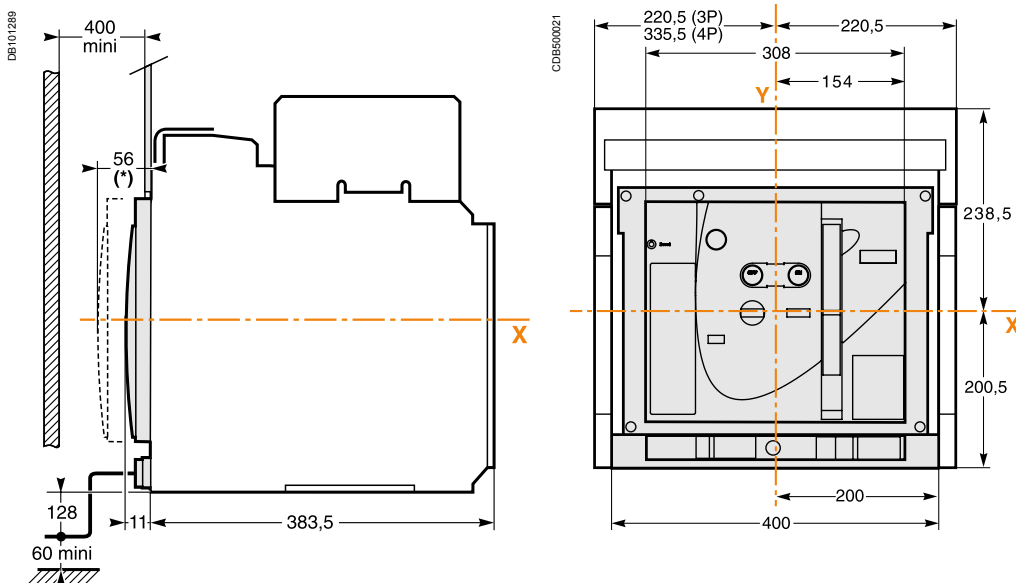


Detail



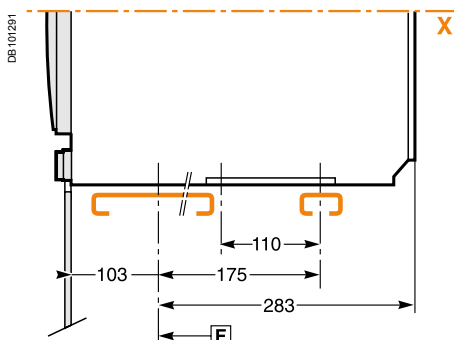
Note: Recommended connection screws: **M10** class 8.8.
Tightening torque: **50 Nm** with contact washer.

Dimensions

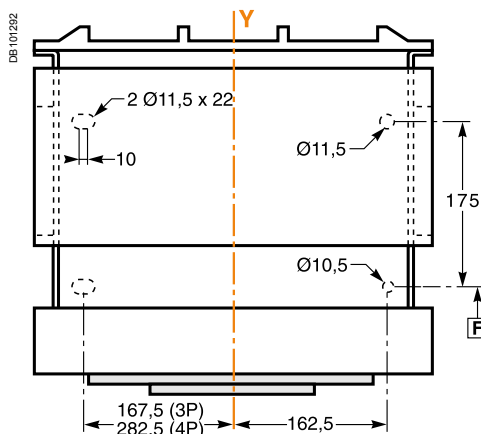


(*) Disconnected position.

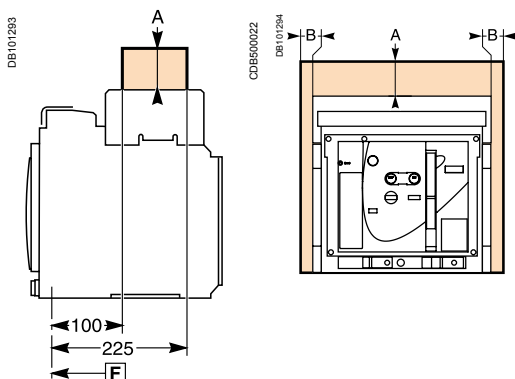
Mounting on base plate or rails



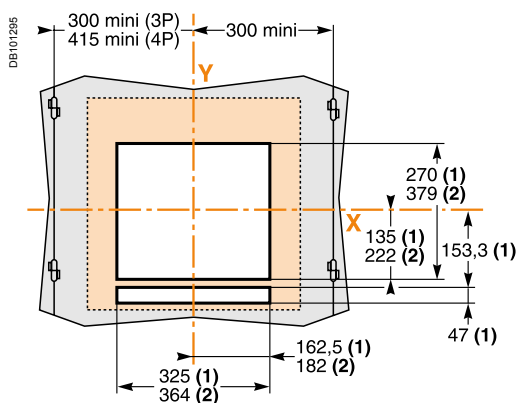
Mounting detail



Safety clearances



Door cutout



	Insulated parts	Metal parts	Energised parts
A	0	0	60
B	0	0	60

F : Datum.

(1) Without escutcheon.

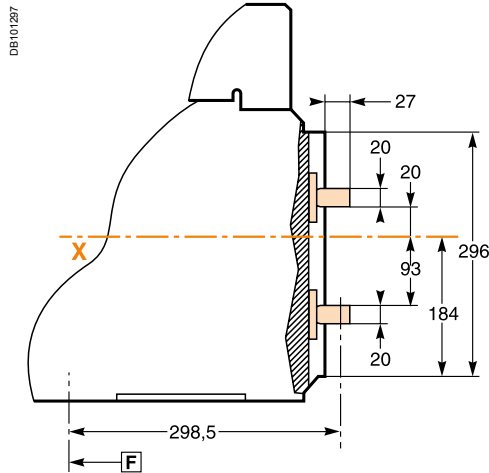
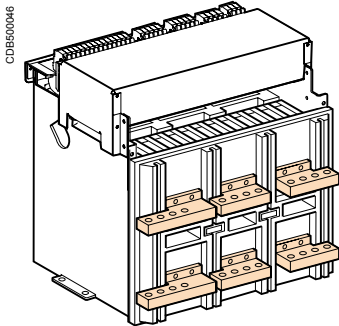
(2) With escutcheon.

Note: X and Y are the symmetry planes for a 3-pole device.

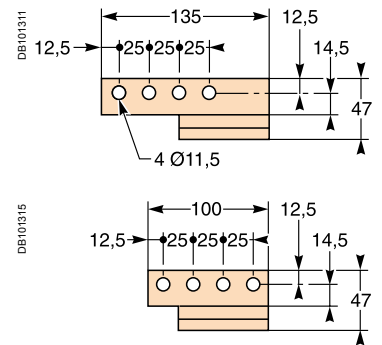
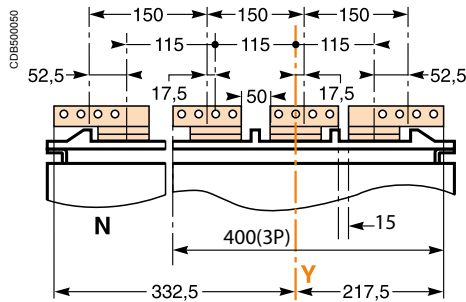
The safety clearances take into account the space required to remove the arc chutes.

Connections

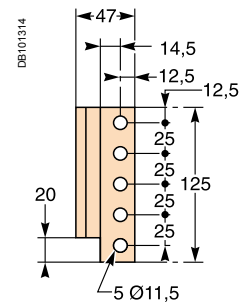
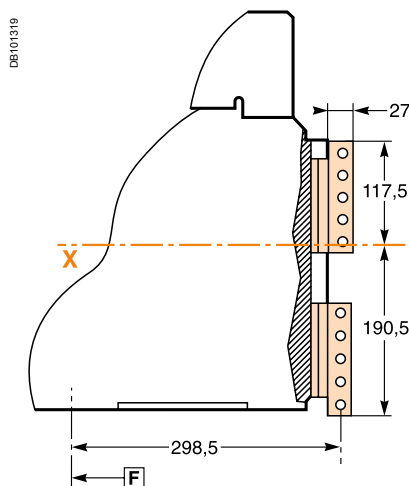
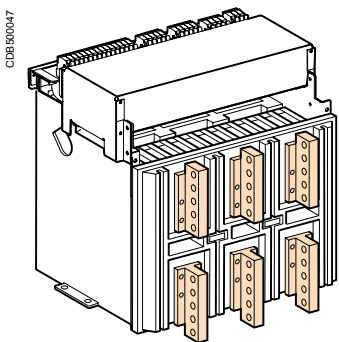
Horizontal rear connection



Detail

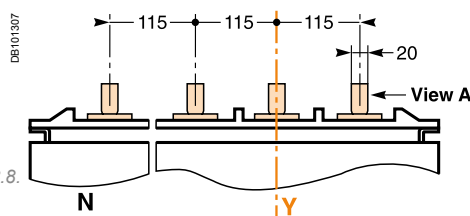


Vertical rear connection



View A detail.

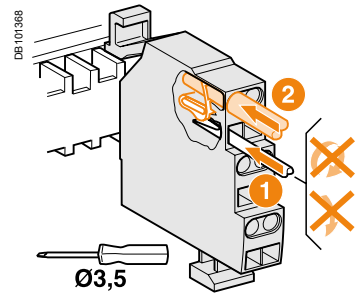
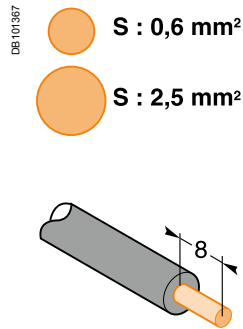
Detail



Note: Recommended connection screws: **M10** class 8.8.
Tightening torque: **50 Nm** with contact washer.

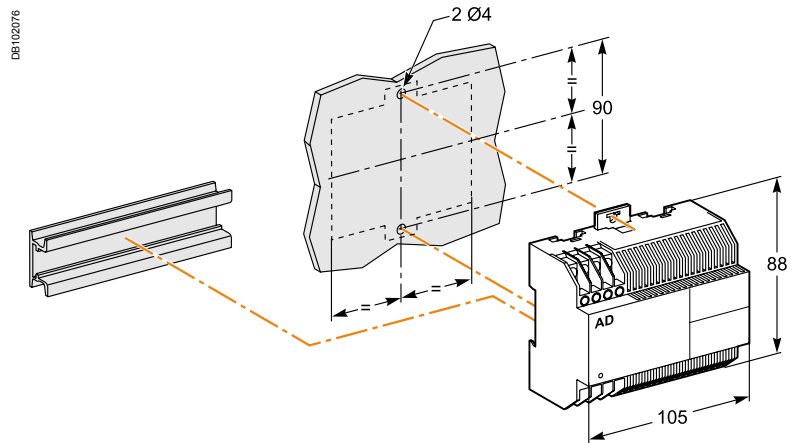
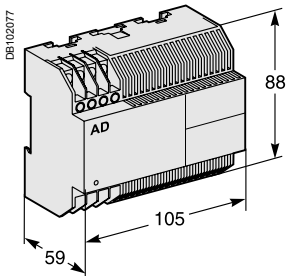
External modules

Connection of auxiliary wiring to terminal block

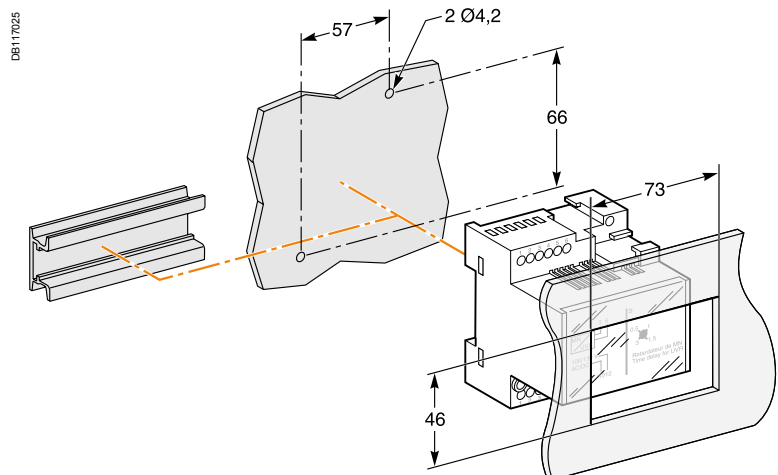
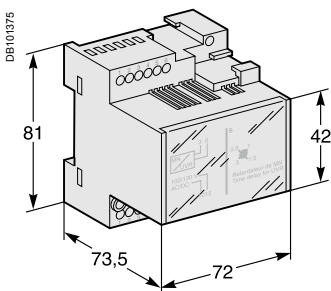


One conductor only per connection point.

External power supply module (AD)



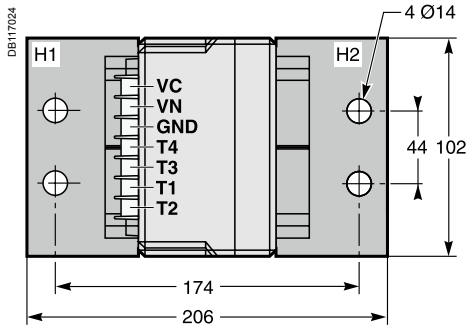
Delay unit for MN release



External sensor for external neutral

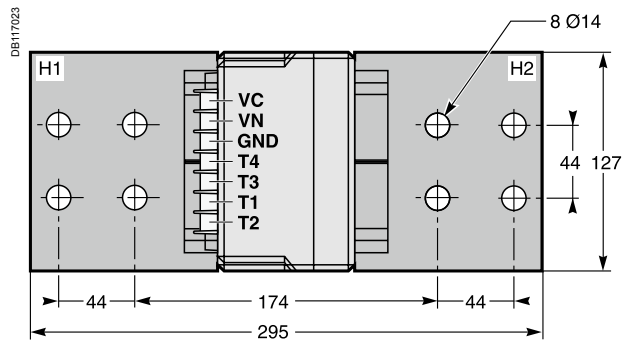
Dimensions

400/2000 A (MVS08 to MVS20)



High: 162 mm.

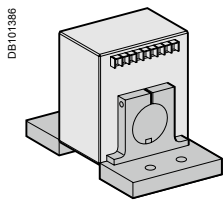
1000/4000 A (MVS25 to MVS40)



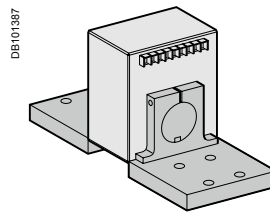
High: 162 mm.

Installation

400/2000 A (MVS08 to MVS20)



1000/4000 A (MVS25 to MVS40)





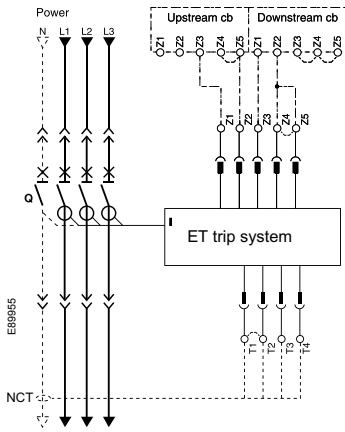
Electrical diagrams



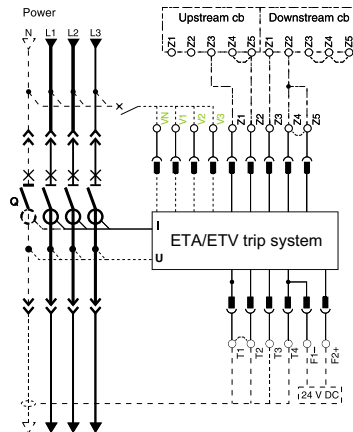
<i>Functions and characteristics</i>	A-1
<i>Installation recommendations</i>	B-1
<i>Dimensions and connection</i>	C-1
EasyPact MVS08 to 40	D-2
Fixed and draw-out devices	D-2
EasyPact MVS	D-4
Earth-fault protection/Neutral protection	D-4
Zone selective interlocking	D-5
24 V DC external power supply AD module	D-6
<i>Additional characteristics</i>	E-1
<i>Catalogue numbers and order form</i>	F-1

The diagram is shown with circuits de-energised, all devices open, connected and charged and relays in normal position.

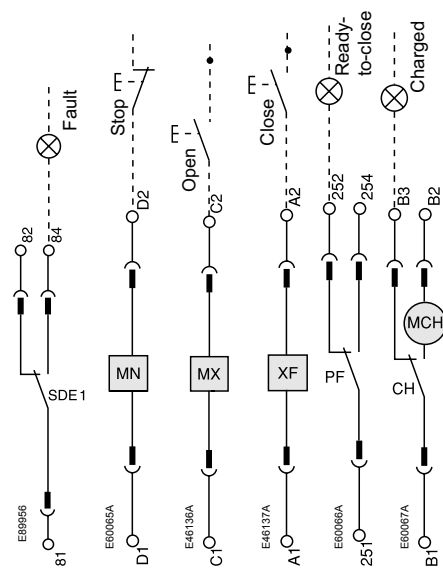
Power



ET/ETA/ETV trip system



Remote operation



Note: V1...VN Voltage connections are available in ETV trip system.

ET trip system

UC1		UC2	
○	Z5		
○	Z3	○	T3
○	Z4	○	T4
○	Z1	○	T1
○	Z2	○	T2

ETA/ETV trip system

UC1		UC2		UC3
○	Z5			○ F2+
○	Z3	○	T3	○ VN
○	Z4	○	T4	
○	Z1	○	T1	○ F1-
○	Z2	○	T2	

Remote operation

SDE	MN	MX	XF	PF	MCH
○ 84	○ D2	○ C2	○ A2	○ 254	○ B2
○ 82				○ 252	○ B3
○ 81	○ D1	○ C1	○ A1	○ 251	○ B1

ET/ETA/ETV trip system

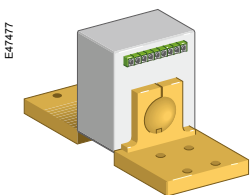
UC1 :
 Z1-Z5 zone selective interlocking
 Z1=ZSI OUT SOURCE
 Z2=ZSI OUT ; Z3 = ZSI IN SOURCE
 Z4 =ZSI IN ST (short time)
 Z5 =ZSI IN GF (earth fault)

UC2 :
 T1, T2, T3, T4=external neutral

UC3 :
 F2+, F1-: external 24 V DC power supply
 VN: external voltage connector (must be connected to the neutral CT with a 3P circuit breaker equipped with ETV trip system)

Remote operation

SDE: Fault-trip indication contact (supplied as standard)
MN: Undervoltage release
MX: Shunt release (standard for Electrical breaker)
XF: Closing release (standard for Electrical breaker)
PF: "Ready to close" contact
MCH: Gear motor (standard for Electrical breaker)



External sensor (CT).

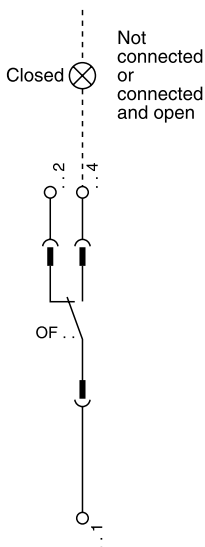
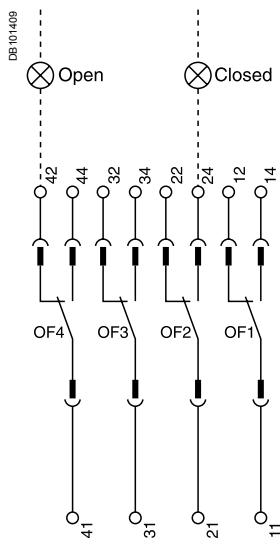
External sensors (Neutral CT)

External sensor for earth-fault protection
 The sensors, used with the 3P circuit breakers, are installed on the neutral conductor for:
 1. Residual type earth-fault protection(ET/ETA/ETV 6G trip system)

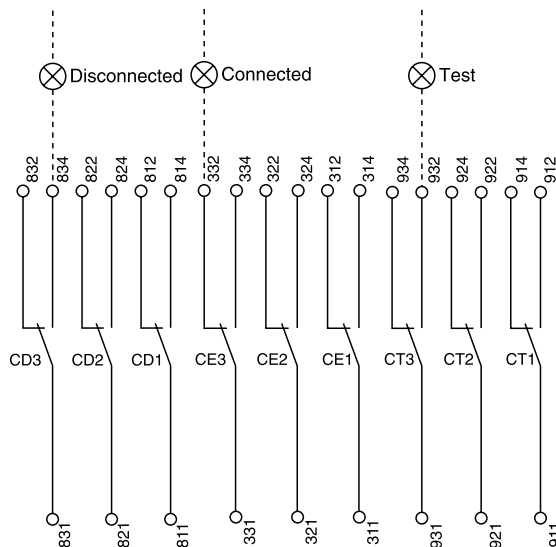
The rating of the sensor (CT) must be compatible with the rating of the circuit breaker:

- MVS08 to MVS20: CT 400/2000;
- MVS25 to MVS40: CT 1000/4000;

Indication contacts



Chassis contacts



Indication contacts

OF4	OF3	OF2	OF1	OF14	OF13	OF12	OF11

Standard

Optional

Chassis contacts

CD3	CD2	CD1	CE3	CE2	CE1	CT3	CT2	CT1

Optional

Indication contacts

OF 4	Standard
OF 3	ON/OFF
OF 2	Indication contacts
OF 1	

OF 14	Optional
OF 13	ON/OFF
OF 12	Indication contacts
OF 11	

Chassis contacts

CD3 Disconnected	CE3 Connected	CT3 Test
CD2 Position	CE2 Position	CT2 Position
CD1 Contacts	CE1 Contacts	CT1 Contacts

Key:

Draw-out device only

SDE1, OF1, OF2, OF3, OF4 supplied as standard

Interconnected connections
(only one wire per connection point)

External sensor (CT) for residual earth-fault protection

Connection of current-transformer secondary circuit for external neutral

EasyPact MVS equipped with a ET/ETA/ETV 6G:

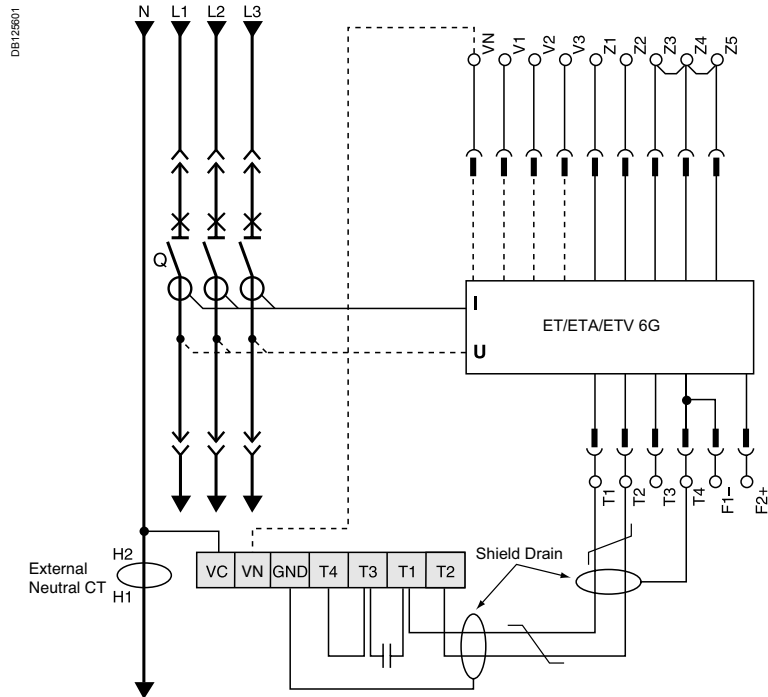
- Shielded cable with 2 twisted pairs
 - T1 twisted with T2
 - Maximum length 4 meters
 - Cable cross-sectional area 0.4 to 1.5 mm²
 - Recommended cable: Belden 9552 or equivalent
- For proper wiring of neutral CT, refer to instruction Bulletin 48041-082-03 shipped with it.

Do not remove factory-installed jumper between T1 and T2 unless neutral CT is connected.

If supply is via the top, follow the schematics.

If supply is via the bottom, control wiring is identical; for the power wiring, H1 is connected to the source side, H2 to the load side.

For four-pole versions, for residual earth-fault protection, the current transformer for the external neutral is not necessary.



Neutral protection

- Three pole circuit breaker:
 - Neutral protection is impossible
- Four pole circuit breaker:
 - The current transformer for external neutral is not necessary

Zone Selective Interlocking

Zone selective interlocking

Zone-selective interlocking is used to reduce the electrodynamic forces exerted on the installation by shortening the time required to clear faults, while maintaining time discrimination between the various devices.

A pilot wire interconnects a number of circuit breakers equipped with ET range of trip system, as illustrated in the diagram above.

The control unit detecting a fault sends a signal upstream and checks for a signal arriving from downstream. If there is a signal from downstream, the circuit breaker remains closed for the full duration of its tripping delay. If there is no signal from downstream, the circuit breaker opens immediately, regardless of the tripping-delay setting.

Fault 1.

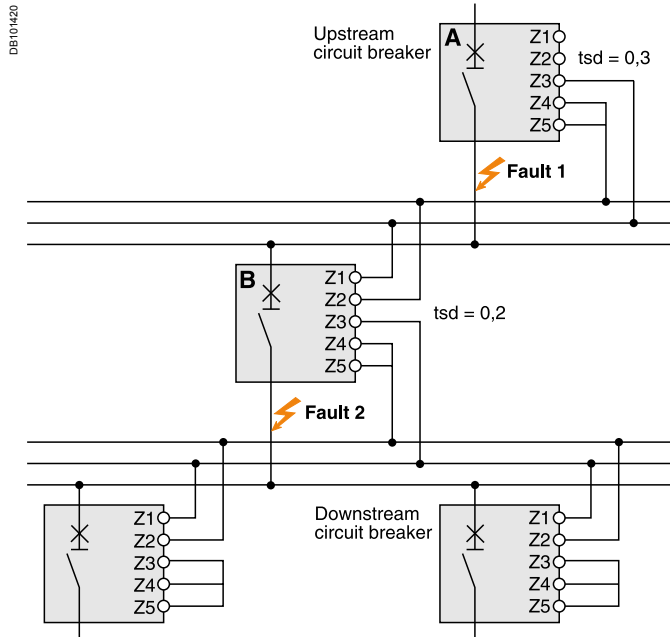
Only circuit breaker A detects the fault. Because it receives no signal from downstream, it opens immediately, regardless of its tripping delay set to 0.3.

Fault 2.

Circuit breakers A and B detect the fault. Circuit breaker A receives a signal from B and remains closed for the full duration of its tripping delay set to 0.3. Circuit breaker B does not receive a signal from downstream and opens immediately, in spite of its tripping delay set to 0.2.

Wiring

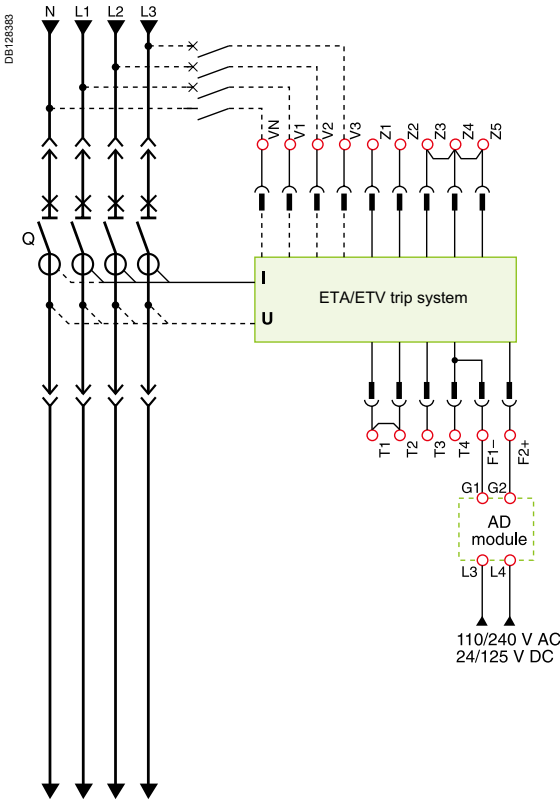
- Maximum impedance: $2.7 \Omega / 300 \text{ m}$
- Capacity of connectors: $0.4 \text{ to } 2.5 \text{ mm}^2$
- Wires: single or multicore
- Maximum length: 3000 m
- Limits to device interconnection:
 - The common ZSI - OUT (Z1) and the output ZSI - OUT (Z2) can be connected to a maximum of 10 upstream device
 - A maximum of 100 downstream devices may be connected to the common ZSI - IN (Z3) and to an input ZSI - IN CR (Z4) or GF (Z5)



EasyPact MVS

24 V DC external power supply

AD module



- The 24 V DC external power-supply (AD module) for the ET Trip system (F1- F2+) is not required for basic protections LSIG
- With ETA/ETV, it is recommended to connect 24 V DC external power-supply (AD module) to the Micrologic control unit (F1- F2+) in order to keep available the display and the energy metering, even if Current < 20 % In

Note: In case of using the 24 V DC external power supply (AD module), maximum cable length between 24 V DC (G1, G2) and the control unit (F1-, F2+) must not exceed 10 meters.

The internal voltage taps are connected to the bottom side of the circuit breaker.

Connection

The maximum length for each conductor supplying power to the trip unit is 10 m.

Do not ground F2+, F1-, or power supply output:

- The positive terminal (F2+) on the trip unit must not be connected to earth ground
- The negative terminal (F1-) on the trip unit must not be connected to earth ground
- The output terminals (- and +) of the 24 V DC power supply must not be grounded

Reduce electromagnetic interference:

- The input and output wires of the 24 V DC power supply must be physically separated as much as possible
- If the 24 V DC power supply wires cross power cables, they must cross perpendicularly. If this is not physically possible, the power supply conductors must be twisted together
- Power supply conductors must be cut to length. Do not loop excess conductor



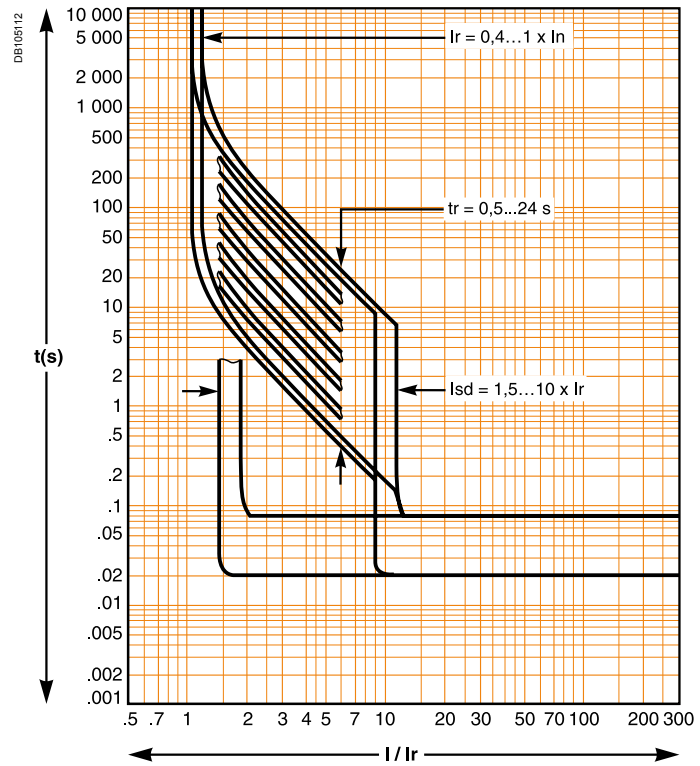
Additional
characteristics



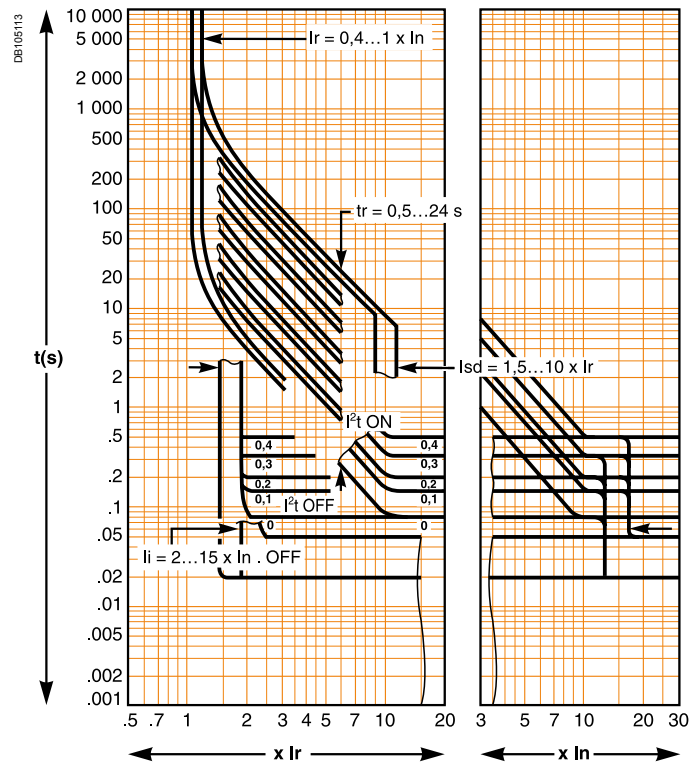
<i>Functions and characteristics</i>	A-1
<i>Installation recommendations</i>	B-1
<i>Dimensions and connection</i>	C-1
<i>Electrical diagrams</i>	D-1
Tripping curves	E-2
<i>Catalogue numbers and order form</i>	F-1

Tripping curves

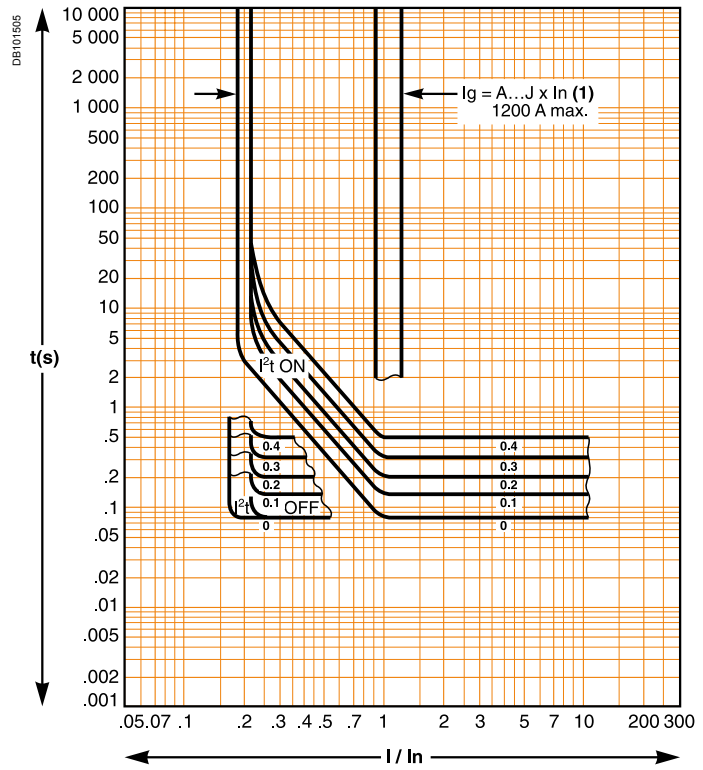
ET range of trip system - 2I



ET range of trip system - 5S, 6G



Earth fault protection (ET range of trip system - 6G)



(1)

$I_g = I_n \times \dots$	A	B	C	D	E	F	G	H	I
$I_n \leq 400 \text{ A}$	0.3	0.3	0.4	0.5	0.6	0.7	0.8	0.9	1
$400 \text{ A} < I_n \leq 1000 \text{ A}$	0.2	0.3	0.4	0.5	0.6	0.7	0.8	0.9	1
$I_n \geq 1250 \text{ A}$	500	640	720	800	880	960	1040	1120	1200

Catalogue numbers and order form



Catalogue numbers and order form

<i>Functions and characteristics</i>	A-1
<i>Installation recommendations</i>	B-1
<i>Dimensions and connection</i>	C-1
<i>Electrical diagrams</i>	D-1
<i>Tripping curves</i>	E-2
Nomenclature	F-2
<hr/>	
EasyPact MVS	F-3
Connection	F-3
ET Trip System & accessories	F-4
Remote operation	F-5
Chassis locking and accessories	F-7
Clusters	F-8
Circuit breaker locking and accessories	F-9
Mechanical interlocking for source changeover	F-10
Indication contacts	F-11
Instructions	F-12
<hr/>	
Order form	F-13

Range	Current rating	Type	Pole	Operating mechanism	Installation	Protection No.	Type
EasyPact MVS (from 800 to 4000A) Icu=Ics=Icw (1 sec)=50kA & 65kA							
MVS	08	N	3	M	F	2	L
	10	H	4	N	W	5	A
	12			O		6	V
	16			P		0	D
	20			Q			
	25			R			
	32			S			
	40			T			
3	2	1	1	1	1	1	1
							11 digits
							Type
							L Basic protection
							A Protection+current metering
							V Protection+voltage metering
							D Switch disconnector
							Protections No.
							2 LI protection
							5 LSI protection
							6 LSIG protection
							0 No protection for switch disconnector
							Type of installation
							F Fixed
							W Draw-out
							Operating mechanism
							M Manually operated ACB/SD
							N Electrical 200/240 VAC MCH + XF + MX
							O Electrical 110/130 VAC MCH + XF + MX
							P Electrical 380/415 VAC MCH + XF + MX
							Q Electrical 200/250 VDC MCH + XF + MX
							R Electrical 100/125 VDC MCH + XF + MX
							S Electrical 48/60V DC MCH + XF + MX
							T Electrical 24/30V DC MCH + XF + MX
							Number of poles
							3P 3 Poles
							4P 4 Poles
							Type based on breaking capacity
							N Circuit breaker/ switch disconnector Icu=Ics=Icw(1sec)=50kA
							H Circuit breaker/ switch disconnector Icu=Ics=Icw(1sec)=65kA
							Current rating
							08 800A
							10 1000A
							12 1250A
							16 1600A
							20 2000A
							25 2500A
							32 3200A
							40 4000A

Example 1

MVS32N4EW6L

MVS	32	N	4	E	W	6	L
EasyPact MVS	3200A	50kA	4 Pole	Electrical operated	Draw-out type	LSIG protection	Basic trip unit with LED indications

Example 2

MVS16H3MF0D

MVS	16	H	3	M	F	0	D
EasyPact MVS	1600A	65kA	3 Pole	Manual operated	Fixed	No protection	Switch disconnector

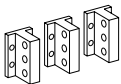
Connection

3P 4P

Fixed circuit breakers

Rear connection (vertical or horizontal mounting) / Replacement kit (3 or 4 parts)

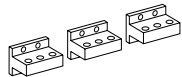
E46445



Vertical mounting.

800-2000 A	Vertical	47964	47965
	Horizontal	47964	47965
2500/3200 A	Vertical	47966	47967
	Horizontal	47966	47967
4000 A	Vertical	47968	47969
	Horizontal	47970	47971

E46446



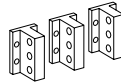
Horizontal mounting.

Installation manual MVS21735

Draw-out circuit breakers

Rear connection (vertical or horizontal mounting) / Replacement kit (3 or 4 parts)

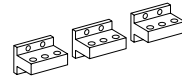
E46445



Vertical mounting.

800-2000 A	Vertical	47964	47965
	Horizontal	47964	47965
2500/3200 A	Vertical	47966	47967
	Horizontal	47966	47967
4000 A	Vertical	47968	47969
	Horizontal	47970	47971

E46446



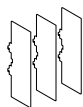
Horizontal mounting.

Installation manual MVS21735

Connection accessories

Interphase barriers / Replacement kit (3 parts)

E46428

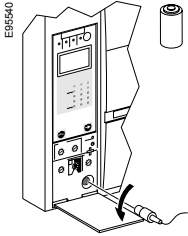


For fixed rear-connected circuit breaker	48599	48599
For draw-out rear-connected circuit breaker	48600	48600
Installation manual	MVS21735	

ET Trip System & accessories

ET trip units & accessories

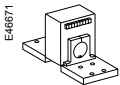
Battery + cover



Battery (1 part)	33593
Cover (1 part)	33592

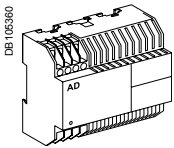
External sensors

External sensor for earth-fault protection (TCE) / 1 part



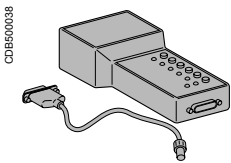
Sensor rating	400/2000 A	34035
	1000/4000 A	34036

External power supply module (AD) / 1 part



24-30 V DC	54440
48-60 V DC	54441
100-125 V DC	54442
110-130 V AC	54443
200-240 V AC	54444
380-415 V AC	54445

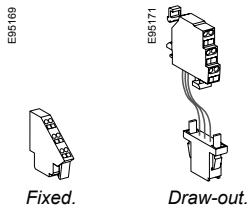
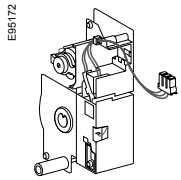
Test equipments / 1 Part



Hand held test kit (HHTK)	33594
---------------------------	-------

Remote operation

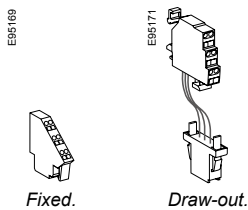
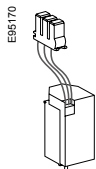
Gear motor



MCH (1 part)		
AC 50/60 Hz	100/130 V	47893
	200/240 V	47894
	380/415 V	47896
DC	24/30 V	47888
	48/60 V	47889
	100/125 V	47890
	200/250 V	47891
	Terminal block (1 part)	For fixed circuit breaker
	For draw-out circuit breaker	47849

Installation manual	MVS21736
---------------------	----------

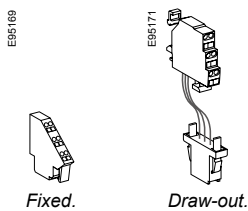
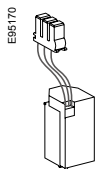
Closing release (XF)



Standard coil (1 part)		
AC 50/60 Hz	24/30 V DC, 24 V AC	33659
	48/60 V DC, 48 V AC	33660
DC	100/130 V AC/DC	MVS15511
	200/250 V AC/DC	MVS15512
	380/480 V AC	MVS15513
	Terminal block (1 part)	For fixed circuit breaker
	For draw-out circuit breaker	47849

Installation manual	MVS21736
---------------------	----------

Opening release (MX)

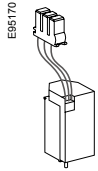


Standard coil (1 part)		
AC 50/60 Hz	24/30 V DC, 24 V AC	33659
	48/60 V DC, 48 V AC	33660
DC	100/130 V AC/DC	33661
	200/250 V AC/DC	33662
	380/480 V AC	33664
	Terminal block (1 part)	For fixed circuit breaker
	For draw-out circuit breaker	47849

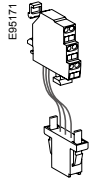
Installation manual	MVS21736
---------------------	----------

Remote operation

Undervoltage release MN



E95169



Fixed.

Draw-out.

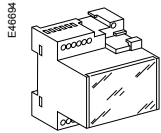
Undervoltage release (1 part)

AC 50/60 Hz	24/30 V DC, 24 V AC	33668
DC	48/60 V DC, 48 V AC	33669
	100/130 V AC/DC	33670
	200/250 V AC/DC	33671
	380/480 V AC	33673
Terminal block (1 part)	For fixed circuit breaker	47074
	For draw-out circuit breaker	47849

Installation manual

MVS21736

MN delay unit

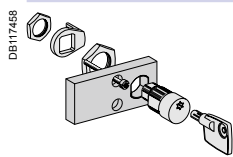


MN delay unit (1 part)

		R (non-adjustable)	Rr (adjustable)
AC 50/60 Hz	48/60 V AC/DC		33680
DC	100/130 V AC/DC	33684	33681
	200/250 V AC/DC	33685	33682
	380/480 V AC/DC		33683
Installation manual			MVS21736

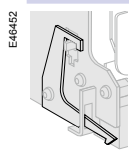
Chassis locking

"Disconnected" position locking / 1 part



By padlocks		
VCPO		Standard
By Profalux keylocks		
Profalux	1 lock with 1 key + adaptation kit	64934
	2 locks 1 key + adaptation kit	64935
	Profalux 1 lock+ 1 key (without adaptation kit)	42888
	Profalux 2 locks + 1 key (without adaptation kit)	42878
	Adaptation kit (without key locks)	48564
By Ronis keylocks		
Ronis	1 lock with 1 key + adaptation kit	64937
	2 locks 1 key + adaptation kit	64938
	Ronis 1 lock+ 1 key (without adaptation kit)	41940
	Ronis 2 locks + 1 key (without adaptation kit)	41950
	Adaptation kit (without key locks)	48564
	Installation manual	MVS21737

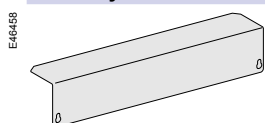
Door interlock / 1 part



Right and left-hand side of chassis (VPECD or VPECG)		47914
	Installation manual	MVS21737

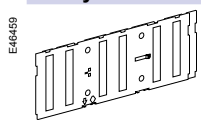
Chassis accessories

Auxiliary terminal shield (CB) / 1 part



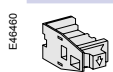
800/4000 A	3P	64942
	4P	48596
	Installation manual	MVS21737

Safety shutters + locking block / 1 part



800/4000 A	3P	48721
	4P	48723
	Installation manual	MVS21737

Shutter locking block (for replacement) / 1 part



2 parts for 800/4000 A		48591
	Installation manual	MVS21737

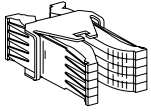
Earthing kit for chassis

	3P	4P
Types for N/H/NA/HA	48433	48434

Clusters

Clusters

E96538



1 disconnecting contact cluster for chassis (see table below) (part 1)

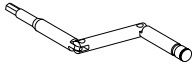
33166

Table : number of clusters required for the different chassis models

Chassis rating (A)	EasyPact MVS(3P)				EasyPact MVS(4P)			
	N	H	NA	HA	N	H	NA	HA
800	12	12	12	12	16	16	16	16
1000	12	12	12	12	16	16	16	16
1250	12	12	12	12	16	16	16	16
1600	12	12	12	12	16	16	16	16
2000	12	12	12	12	16	16	16	16
2500	24	12	24	12	32	16	32	16
3200	36	36	36	36	48	48	48	48
4000	42	42	42	42	56	56	56	56

Racking handle

E96561



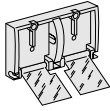
Racking handle

47944

Circuit breaker locking

Pushbutton locking device / 1 part

E46866

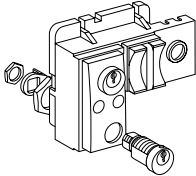


By padlocks	48536
-------------	-------

Installation manual	MVS21736
---------------------	----------

OFF position locking / 1 part

E46735



By Profalux keylocks

Profalux	1 lock with 1 key + adaptation kit	64928
	2 locks 1 keys + adaptation kit	64929
	Profalux 1 lock+ 1 key (without adaptation kit)	42888
	Profalux 2 locks + 1 key (without adaptation kit)	42878
	Adaptation kit (without key locks)	64925

By Ronis keylocks

Ronis	1 lock with 1 key + adaptation kit	64931
	2 locks 1 keys + adaptation kit	64932
	Ronis 1 lock+ 1 key (without adaptation kit)	41940
	Ronis 2 locks + 1 key (without adaptation kit)	41950
	Adaptation kit (without key locks)	64925

Installation manual	MVS21736
---------------------	----------

Mechanical operation counter / 1 part

DB12817

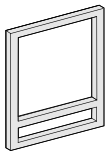


Operation counter CDM	48535
-----------------------	-------

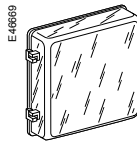
Installation manual	MVS21736
---------------------	----------

Escutcheon and accessories / 1 part

CDB50081

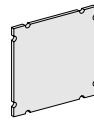


Escutcheon



E46889

Cover



E46870

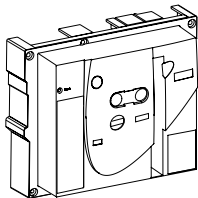
Blanking plate

	Fixed	Draw-out
Escutcheon	48601	48603
Transparent cover (IP 54)	-	48604
Escutcheon blanking plate	48605	48605

Installation manual	MVS21736
---------------------	----------

Front cover (3P / 4P) / 1 part

CDB50058



MVS Front cover	MVS21808
-----------------	----------

Installation manual	MVS21736
---------------------	----------

Spring charging handle / 1 part

E85536

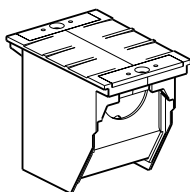


Spring charging handle	47940
------------------------	-------

Installation manual	MVS21736
---------------------	----------

Arc chute for EasyPact MVS / 1 part

CDB50059



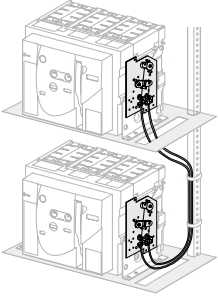
	3P	4P
Type N/NA	3 x MVS21807	4 x MVS21807
Type H/HA	3 x MVS21807	4 x MVS21807
Installation manual	MVS21736	MVS21736

Mechanical interlocking for source changeover

Mechanical interlocking for source changeover

Interlocking of 2 devices using cables ⁽¹⁾

CDB500053



Choose 2 adaptation sets (1 for each device + 1 set of cables)

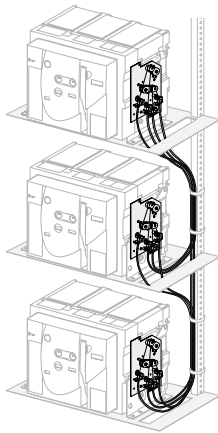
1 adaptation fixture for EasyPact MVS fixed devices	47926
1 adaptation fixture for EasyPact MVS draw-out devices	47926
1 set of 2 cables	33209

(1) Can be used with any combination of EasyPact MVS, fixed or draw-out devices.

Installation manual	MVS21738
---------------------	----------

Interlocking of 3 devices using cables

CDB500060



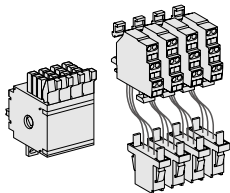
Choose 3 adaptation (including 3 adaptation fixtures + cables)

3 sources, only 1 device closed, fixed or draw-out devices	48610
2 sources + 1 coupling, fixed or draw-out devices	48609
2 normal + 1 replacement source, fixed or draw-out devices	48608
Installation manual	MVS21738

Indication contacts

ON/OFF indication contacts (OF) / 12 parts

E46889

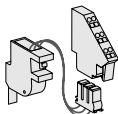


1 additional block of 4 contacts		47887
Wiring	For fixed circuit breaker	47074
	For draw-out circuit breaker	47849

Installation manual		MVS21736
---------------------	--	----------

“Ready to close” contact (1 max.) / 1 part

E46438

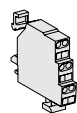


1 changeover contact (5 A - 240 V)		47080
Wiring	For fixed circuit breaker	47074
	For draw-out circuit breaker	47849

Installation manual		MVS21736
---------------------	--	----------

“Connected, disconnected, test position” indication contact (carriage switches) / 1 part

E46861



Changeover contacts	6 A - 240 V	33170
---------------------	-------------	-------

Installation manual		MVS21736
---------------------	--	----------

Auxiliary terminals for chassis alone

3 wire terminal (1 part)		47849
6 wire terminal (1 part)		47850
Jumpers (10 parts)		47900

Instructions

Instructions

EasyPact MVS User Manual (English)	MVS21734
Fixed & draw-out circuit breaker	MVS21735
Circuit breaker accessories	MVS21736
Chassis accessories	MVS21737
Interlocking of EasyPact MVS devices	MVS21738

Order ref no:

Date:

Product ref no:

OA No.
(to be filled by Order booking team)

EasyPact MVS

Circuit breaker and Switch-disconnectors Customer Order form

To indicate your choices, check the applicable square boxes

And enter the appropriate information in the rectangles

Circuit breaker or switch-disconnector Quantity

Rating	A	<input type="text"/>
Circuit breaker	N/H	<input type="text"/>
Switch Disconnector	NA/HA	<input type="text"/>
Number of poles	3 or 4	<input type="text"/>
Type of equipment	Fixed	<input type="text"/>
	Draw out with chassis	<input type="text"/>
	Draw out without chassis (moving part only)	<input type="text"/>
	Chassis alone	<input type="text"/>
Operating Mechanism	Manual Operated	<input type="text"/>
	Electrical Operated	<input type="text"/>
MCH - Gear motor		<input type="text"/>
XF - Closing coil		<input type="text"/>
MX - Shunt/Opening voltage release		<input type="text"/>

ET Trip System

0 - Without display	2I	<input type="text"/>	5S	<input type="text"/>	6G	<input type="text"/>
A - Current Metering	2I	<input type="text"/>	5S	<input type="text"/>	6G	<input type="text"/>
V - Voltage Metering	2I	<input type="text"/>	5S	<input type="text"/>	6G	<input type="text"/>

LR - Long-time rating plug **Standard** **0.4 to 1 Ir**

Connection

Horizontal	Top	<input type="text"/>	Bottom	<input type="text"/>
Vertical	Top	<input type="text"/>	Bottom	<input type="text"/>

Trip System functions:
2I : Basic protection (long time + inst.)
5S : Selective protection (long time + short time + inst.)
6G : Selective + earth-fault protection
 (long time + short time + inst. + earth-fault)

Indication contacts

OF - ON/OFF indication contacts

Standard	1 block of 4 OF	10 A-240/380V AC	<input type="text"/>
Additional	1 block of 4 OF	6 A-240/380V AC	<input type="text"/>

SDE - "fault-trip" indication contact

Standard	1 SDE	5A-240/380V AC	<input type="text"/>
-----------------	-------	----------------	----------------------

Optional

Carriage switches 8 A-240/380V AC

CE - "Connected" position	Max. 3	qty	<input type="text"/>
CT - "Test" position	Max. 3	qty	<input type="text"/>
CD - "Disconnected" position	Max. 3	qty	<input type="text"/>

Remote tripping

MN - Under voltage release		V	<input type="text"/>
R - Delay unit (fixed time delay)	0.25s		<input type="text"/>
Rr - Adjustable delay unit	0.5s.....3s		<input type="text"/>

AD - External power-supply module **V**

TCE - External sensor (NCT) for neutral of 3 Phase-4 Wire systems 400/2000A

TCE - External sensor (NCT) for neutral of 3 Phase-4 Wire systems 1000/4000A

PF - "Ready to close" contact 5A-240/380V AC

Locks

VBP - ON/OFF pushbutton locking (by transparent cover using padlock)

VSP0 - Device locking in OFF position by key lock (Only one key lock per ACB possible)

Key lock kit (w/o key lock)	Profalux	<input type="text"/>	Ronis	<input type="text"/>
1 key lock	Profalux	<input type="text"/>	Ronis	<input type="text"/>
2 identical key locks, 1 key	Profalux	<input type="text"/>	Ronis	<input type="text"/>

Chassis locking in "Disconnected" position:

VSPD - by key locks

Key lock kit (w/o key lock)	Profalux	<input type="text"/>	Ronis	<input type="text"/>
1 key lock	Profalux	<input type="text"/>	Ronis	<input type="text"/>
2 identical key locks, 1 key	Profalux	<input type="text"/>	Ronis	<input type="text"/>

Door Interlock - VPEC

	On left-hand side of chassis (LH)	<input type="text"/>
	On right-hand side of chassis (RH)	<input type="text"/>

Mechanical Interlocking of ACBs with Cable

1 Normal source & 1 replacement source (2 devices)	<input type="text"/>
2 normal + 1 replacement source, fixed or draw-out devices	<input type="text"/>
2 sources with coupler on busbars (3 devices)	<input type="text"/>
3 sources, only 1 device closed, fixed or draw-out devices	<input type="text"/>

Accessories

VO - Safety shutters on chassis	Standard	<input type="text"/>
CDP - Escutcheon	Standard	<input type="text"/>
Safety Shutter locking blocks		<input type="text"/>
CP - Transparent cover for escutcheon		<input type="text"/>
OP - Blanking plate for escutcheon		<input type="text"/>
CDM - Mechanical operation counter for MVS		<input type="text"/>
CB - Auxiliary terminal shield fitted on chassis		<input type="text"/>
EIP - Interphase barriers		<input type="text"/>
HHTK - Hand held test kit		<input type="text"/>

Notes:
 Customer can provide only the reference no. of the product for the listed references. Kindly refer to product catalogue for list of references.
 Customer to fill this order form for non-listed references.
 All breakers will be provided with 1 OF (4 c/o contacts), 1 SDE (trip contact), Escutcheon (Panel sealing frame) as standard.
 All draw-out breakers/switches will be supplied with Chassis & safety shutter.
 For Electrical operated breakers/ switches, indicate the voltage ratings of MCH, XF & MX
 Refer to product catalogue for available voltage ratings of MCH/XF/MX/MN & AD Module
 The orientation of customer connecting terminals can be changed at site from Horizontal to vertical or vice-versa.

Schneider Electric Industries SAS

35, rue Joseph Monier
CS 30323
F- 92506 Rueil Malmaison Cedex

RCS Nanterre 954 503 439
Capital social 896 313 776 €
www.schneider-electric.com

As standards, specifications and designs change from time to time, please ask for confirmation of the information given in this publication.



This document has been printed on ecological paper

*Design: Schneider Electric
Photos: Schneider Electric
Printed:*