



2		Type XAC A "Pistol grip"			
Degree of protection		IP 65 / Nema 4, 4X / Class II			
Rated operational characteristics		AC 15 (240 V 3 A), DC 13			
Conventional thermal current	lthe	10 A			
Connection		Screw clamp terminals, 1 x 2.5 mm ² or 2 x 1.5 mm ²			
For control of		single-speed motors 		2-speed motors 	
Dimensions (mm)	W x H x D	52 x 295 x 71 (x 85 with ZA2 BS834)		52 x 295 x 71 (x 85 with ZA2 BS834)	
Number of operators	mechanically interlocked	2		2	
	Emergency stop	without	ZA2 BS834	without	ZA2 BS834
References		XAC A201	XAC A2014	XAC A207	XAC A2074



Type XAC A					
For control of single-speed motors					
Dimensions (mm)	W x H x D	80 x 314 x 70 (x 90 with ZA2 BS834)		80 x 440 x 70 (x 90 with ZA2 BS844)	
Number of operators	mechanically interlocked between pairs	2		4	
	Emergency stop	without	ZA2 BS834	without	ZA2 BS844
References		XAC A271	XAC A2714	XAC A471	XAC A4714

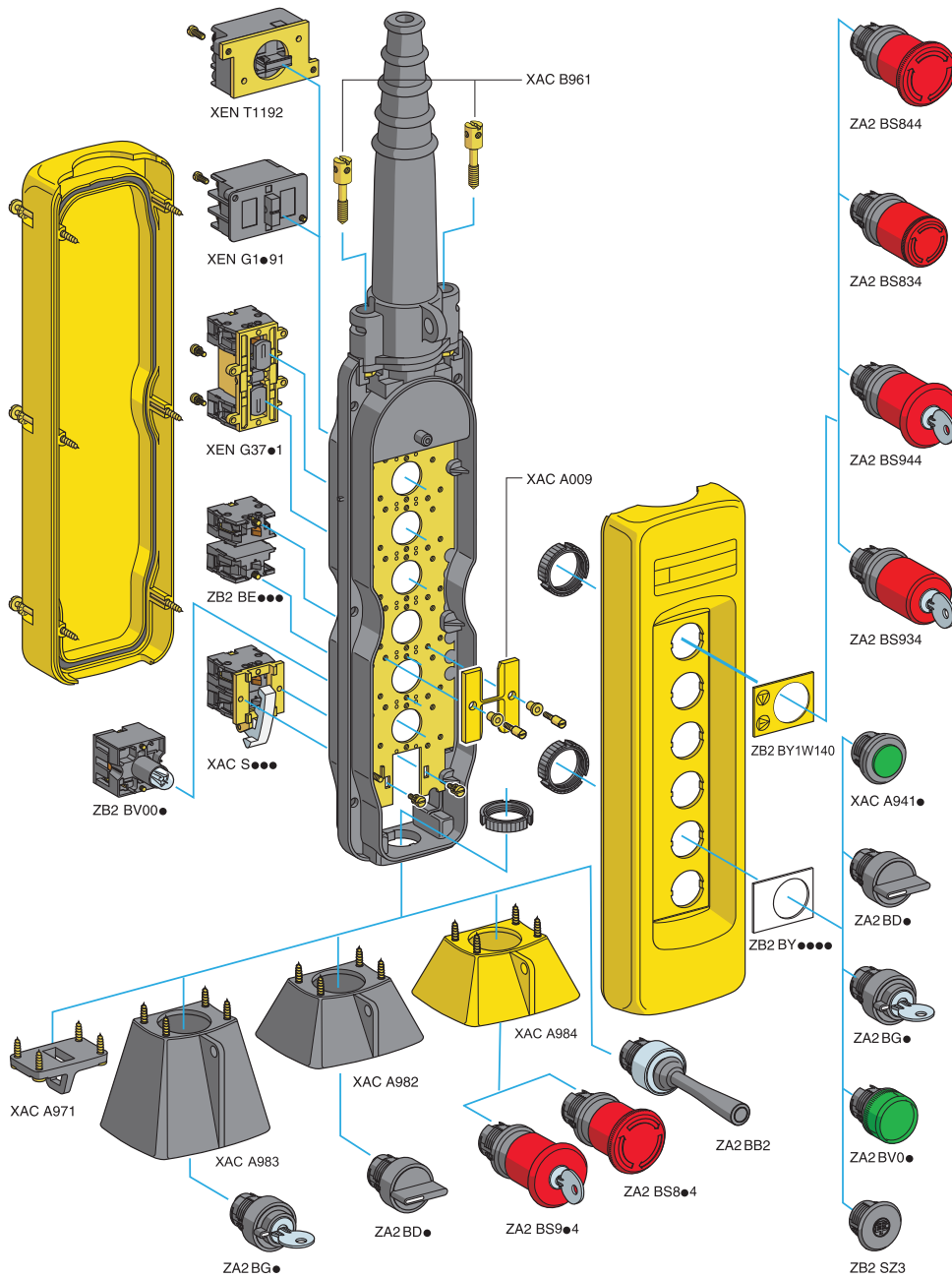


For control of single-speed motors					
Dimensions (mm)	W x H x D	80 x 500 x 70 (x 90 with ZA2 BS844)		80 x 560 x 70	
Number of operators	mechanically interlocked between pairs	6		8	
	Emergency stop	without	ZA2 BS844	without	
References		XAC A671	XAC A6714	XAC A871	

Empty enclosures type XAC A								
Number of ways		2	3	4	5	6	8	12
References		XAC A02	XAC A03	XAC A04	XAC A05	XAC A06	XAC A08	XAC A12

Separate components (for mounting in enclosures XAC A)

2



Isolating switch, slow break, for front mounting	
Emergency stop «N/C+N/C+N/C»	XEN T1192
with positive opening operation	

Contacts blocks for XAC A941	
Single-speed N/C + N/O	XEN G1491
2-speed N/C + N/O + N/O	XEN G1191

Double blocks latching, slow break	
Single-speed N/O + N/O	XEN G3781
Single-speed N/O + N/C	XEN G3791

Contact blocks	
Single-speed N/O	ZB2 BE101
Single-speed N/C	ZB2 BE102

Contact blocks (for mounting in enclosure base)	
N/O	XAC S101
N/C + N/O	XAC S105

Protective guard (for base mounted units)	
For selector switch	XAC A982/983
For emergency stop pushbutton	XAC A984

Legends, 30 x 40 mm	With symbols conforming to NF E 52-124	With text
---------------------	--	-----------



References	ZB2 BY4901	ZB2 BY4903	ZB2 BY4907	ZB2 BY4909	ZB2 BY4913	ZB2 BY4915	ZB2 BY4930	ZB2 BY2303	ZB2 BY2304
References	ZB2 BY2904	ZB2 BY2906	ZB2 BY2910	ZB2 BY2912	ZB2 BY2916	ZB2 BY2918	ZB2 BY2931	blank white or yellow background	

References	ZB2 BY2904	ZB2 BY2906	ZB2 BY2910	ZB2 BY2912	ZB2 BY2916	ZB2 BY2918	ZB2 BY2931	ZB2BY1W140
------------	------------	------------	------------	------------	------------	------------	------------	------------

(1) Trigger action mechanically latching Emergency stop pushbuttons conform to standards EN/IEC 60204-32, EN/ISO 13850: 2006, Machinery directive 98/37/EC and standard EN/IEC 60947-5-5.



2

Type		Characteristics		
Display	LCD screen size / Resolution	3.4" / monochrome (200 X 80 pixels)		3.5" / QVGA (320 X 240 pixels)
	Type	Green, orange, red	White, pink, red	TFT 65 536 colours
Functions	Representation of variables	Alphanumeric, bitmap, bargraph, gauge, button, light, clock, flashing light, keypad		
	Curves / Alarm logs	Yes, with log / Yes, incorporated		
Communication	Serial link	1 RJ45 (RS 232 - RS 485)		
	Networks	-	-	Ethernet, IEEE 802.3 10/100 BASE-T, RJ45
Downloadable protocols		Mitsubishi (Melsec), Omron (Sysmac), Rockwell Automation (Allen Bradley), Siemens (Simatic) Uni-TE, Modbus, Modbus TCP		
Development software		Vijeo Designer VJD●●●TG●V●●M (on Windows XP, Vista and 7) or Vijeo Designer Limited Edition		
Dimensions W x D x H		113x28x78mm		Front : 98x16x81mm Rear : 118x30x98mm
Compatibility with PLCs		Twido, Modicon TSX Micro, Modicon Premium, Modicon Quantum, Modicon M340		
«Compact Flash» card slot		No		
USB port		1 Host type A + 1 Device type miniB		
Built-in Ethernet TCP/IP		No	No	Yes
Supply voltage		24 VDC		
References		HMI STO511	HMI STO512	HMI STU655